

PULSAFEEDER®

WALL MOUNT BRACKET

AVAILABLE IN PLASTIC OR STAINLESS STEEL

The wall mount bracket allows a pump to be mounted on a wall or other vertical support in applications where it is necessary to have the pump mounted above a tank or drum.

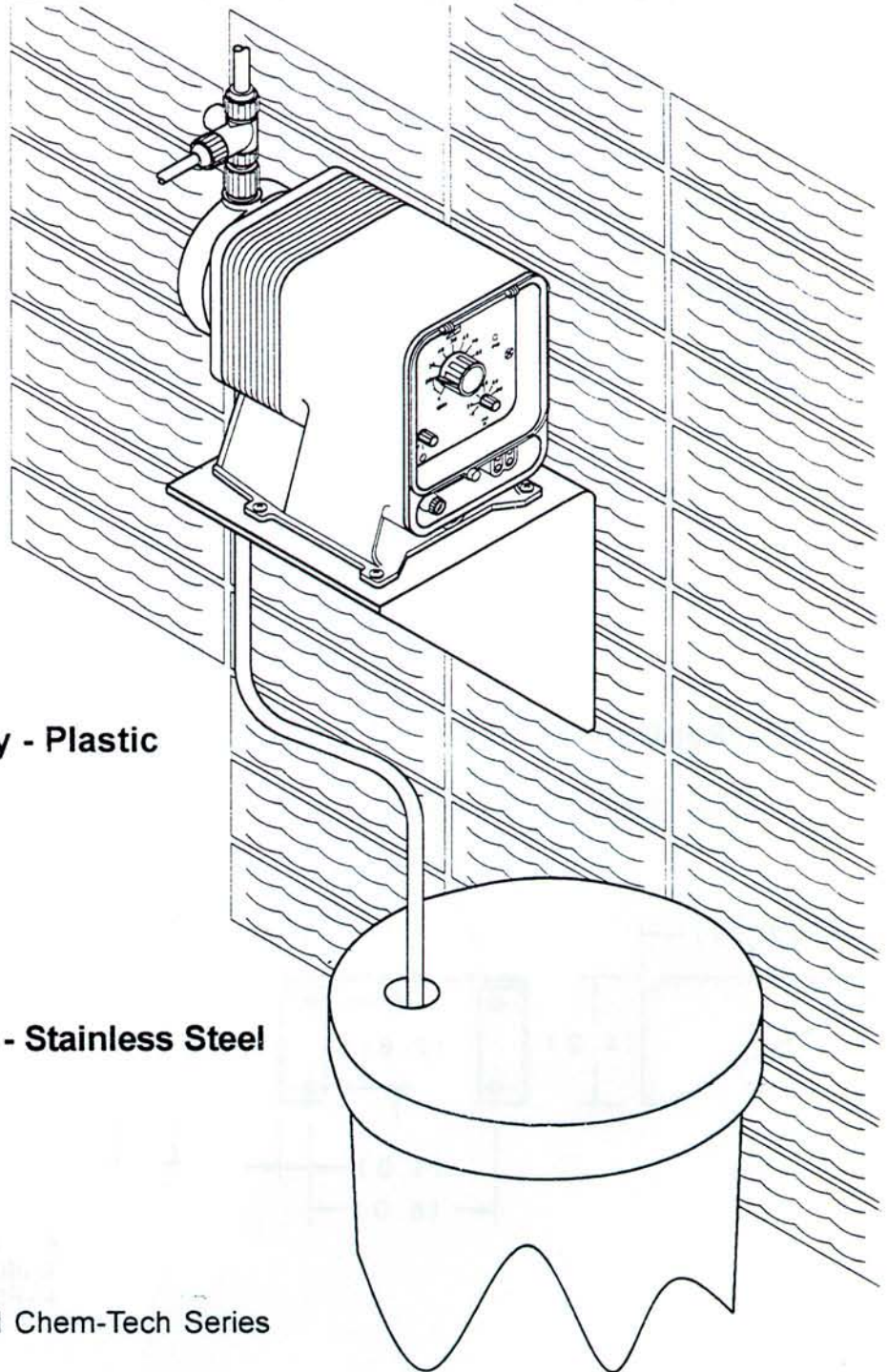
Pulsafeeder has two types of wall mount brackets available to suit your needs. These wall mount brackets will provide a stable mounting surface for your pump.

Wall Mount Bracket Assembly - Plastic

- Heavy duty ABS plastic.
- Mounting hardware included.
- Universal pump mounting.

Wall Mount Bracket Assembly - Stainless Steel

- 12 guage stainless steel.
- Mounting hardware included.
- Predrilled
- For use with all PULSAtron and Chem-Tech Series 100 pumps.

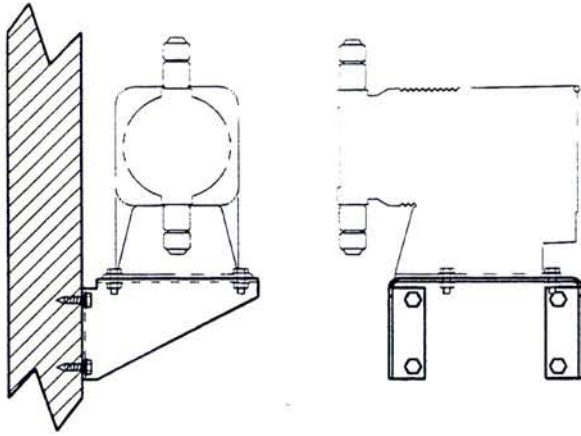


See reverse for specifications

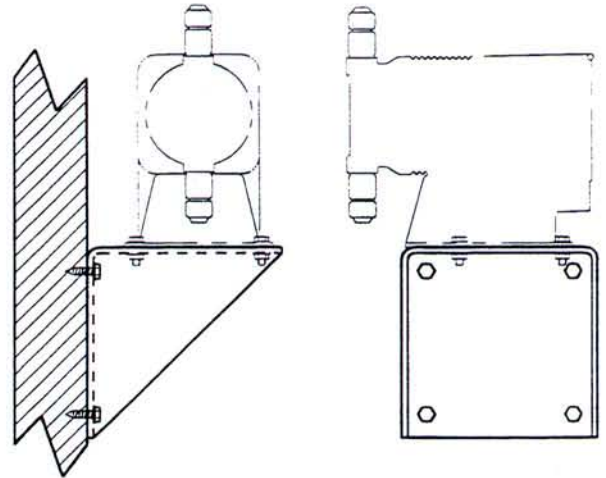
WALL MOUNT BRACKET SPECIFICATIONS

Typical Installation:

STAINLESS STEEL

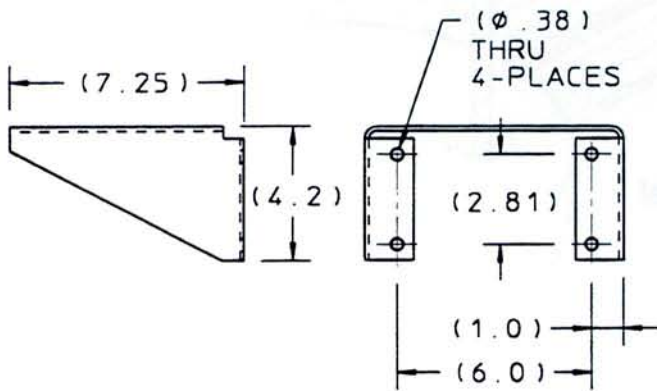


PLASTIC

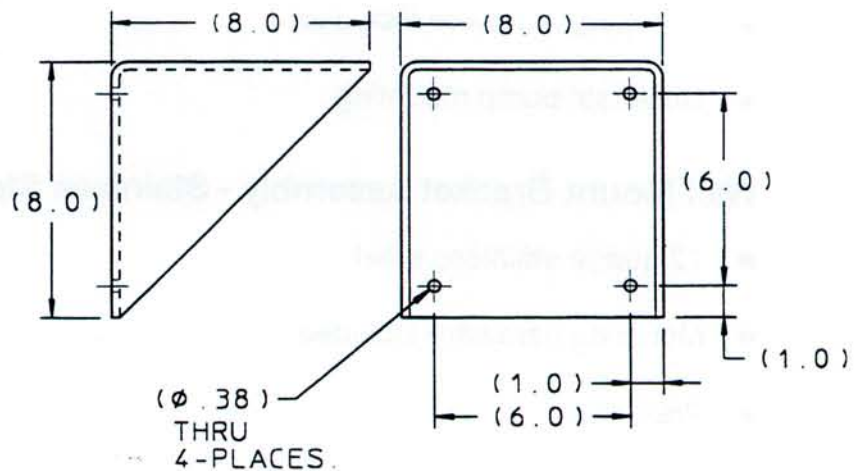


Bracket Dimensions:

STAINLESS STEEL



PLASTIC



NOTE: It is the manufacturer's recommendation that the bracket be used for wall mount applications. Contact the factory concerning other mounting considerations. It is also recommended that suction lift be kept to a minimum and should be a consideration in choosing the shelf mount location.