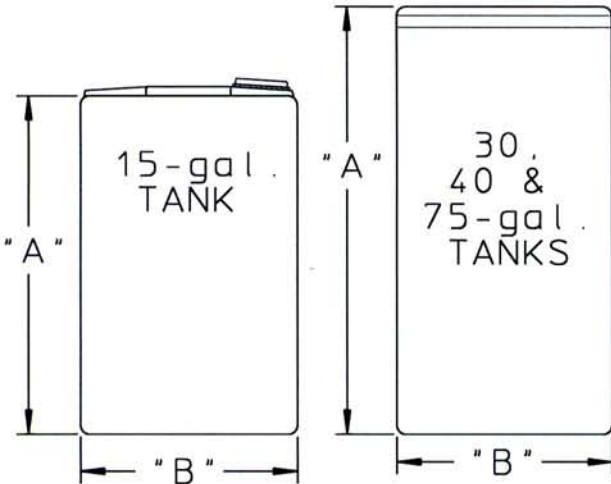


PULSAFEEDER

SERIES 6000 TANK SYSTEM

The Series 6000 Tank Systems are a rugged line of tanks designed to fit most solution handling needs. All tanks are constructed of high density polyethylene (PE) and come in a variety of sizes.

LIGHT DUTY LINEAR TANKS

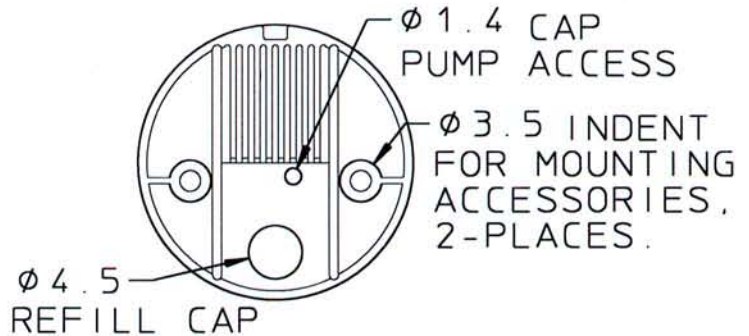
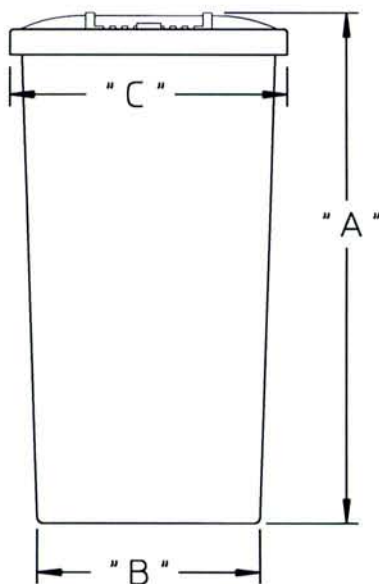


Model	Size Gallon	Wall	Dimensions (in.)	
			A	B
40375	15	0.078	25	14.5
40360	30	0.094	32	18.5
40361	40	0.094	41.25	18.5
40362	*75	0.125	41.75	24.25

15 gallon tanks are translucent with 5 gal. increments and feature child resistant black caps. Other tanks have full fitted lids. 30/40 gal. tanks are non-translucent white. ***75 gallon tanks are black.** Tanks will not support pumps or mixers on covers. Use heavy duty tapered tanks for top mounting of pumps or mixers.

HEAVY DUTY TAPERED TANKS

TAPERED PE TANKS feature rigid covers which allow the top mounting of Chem-Tech S100, 200 and most PULSAtron pump models. 1/20 HP Flange Mount Mixers may also be mounted on the cover. Tanks are translucent with 5 gal. graduations. (Not suitable for use with 1/3 HP Flange Mount Mixers.)



Model	Size Gallon	Wall	Dimensions (in.)		
			A	B	C
40365	35	0.125	28	20	23
J40366	55	0.125	42.5	18.5	23

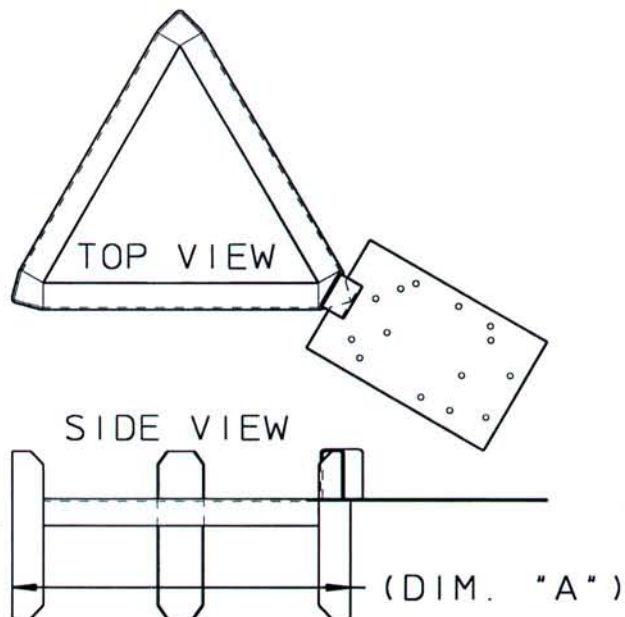
TANK ACCESSORIES

STANDS:

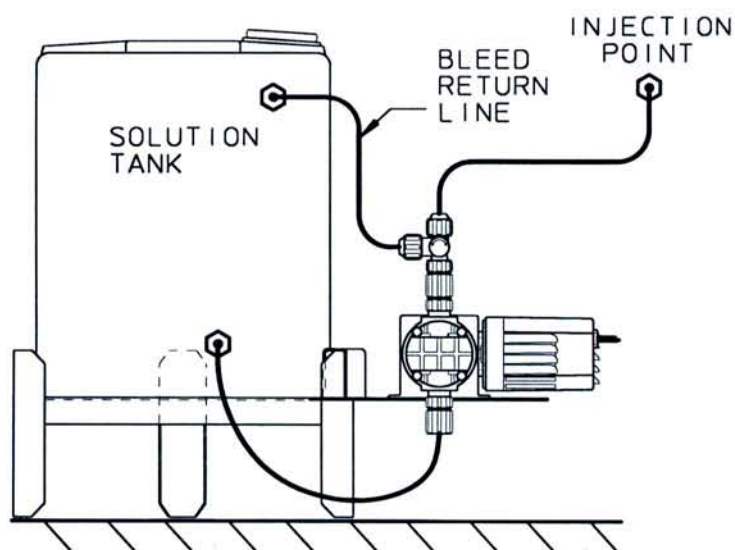
Tripod stands with pump mounting shelves are available for all tank sizes. Stands are constructed of 12 ga. 304 SS. Mounting shelves are for Chem-Tech Series 100 and PULSATron Metering Pumps. Please refer to the chart below to select the proper stand assembly.

CHEM-TECH SERIES 100	PULSATRON		TANK STAND ASSEMBLY	DIM. "A" (in.)
	SERIES C, C+, A+ & E SEE NOTE	SERIES E (LE33, LE34 & LE44, ALL-E+)		
PART #	PART #	PART #	DESCRIPTION	
39320	J39373	J39378	15-gal.	14.13"
39322	J39374	J39379	30-40gal.	18.63"
39323	J39375	J39380	35-gal.	18.88"
39321	J39376	J39381	55-gal.	18.13"
39324	J39377	J39382	75-gal.	22.63"

NOTE: ALL SERIES 'E' PUMPS EXCEPT LE33, LE34 & LE44.

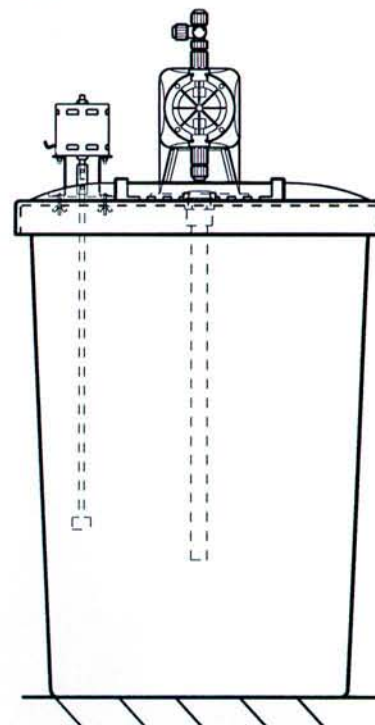


TYPICAL INSTALLATIONS



TYPICAL TANK, STAND, FEEDER COMBINATION
(shown with 15 gal. Tank, Stand, Bulkhead Fittings and Chem-Tech Pump - all components are purchased separately)

Note: When using this type of mount, tank bulkhead fittings are required for the suction and/or return lines. Bulkhead fittings are available in 3/8" O.D. and 1/2" O.D. tubing connections and can be installed at the factory (see accessory list price schedule).



TYPICAL TANK, MIXER, FEEDER COMBINATION
(shown with 55 gal. Tapered PE Tank, 1/20 HP Mixer, PULSATron Pump and Suction Tube Shield Assembly - all components are purchased separately)