

# Liquid Level Monitors

## Liquid Level Control/Alarm Monitors

are designed to provide reliable level control at reasonable prices. Their unique design separates the control circuitry from the level wand, allowing the control box to be mounted on the wall to avoid contact with corrosive chemical vapors. These units are ideal for low level control of a chemical pump and/or an alarm device.

The Liquid Level Monitor was designed for use with various length level wands to indicate when there is a low level condition in the chemical tank and to turn off a metering pump to prevent the pump from running dry.

The level wand is designed to be inserted into a chemical container with a 2" bung hole. The wand can then be adjusted to the proper level and secured in place. A low voltage cable connects the control box to the level wand. When a low level condition occurs the monitor deactivates the metering pump control relay and at the same time activates the alarm output relay.

Both outputs supply line voltage and can source up to 5 Amps.

The level controller is housed in a rugged NEMA 4X enclosure and designed to be simple to operate. 115 VAC models are supplied with prewired pigtails and 230 VAC model are supplied with Conduit connections for hard wiring.

Level Wands can also be ordered separately as independent level sensors to supply a dry contact switch closure to any device requiring a low level contact, such as the PULSA-tron electronic metering pumps or any controller with a dry contact drum level input.

## Key Features

- Power and Low Level Indicators
- Adjustable Level Wand
- Can be Integrated with Existing Controllers
- Pump and Alarm Control
- Prevents Pumps From Running Dry



technology  
innovation diversity  
excellence

# Liquid Level Monitors

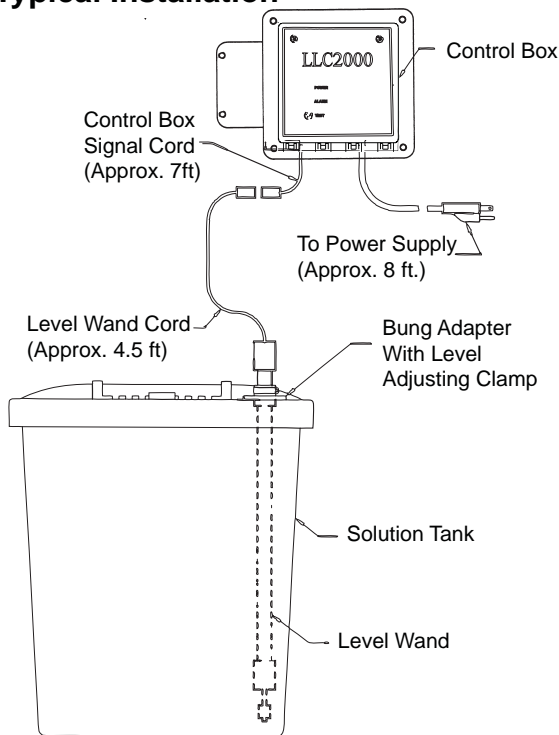
## Specifications

Model Number	16-171-79*	16-171-80*	16-171-84*
Wand	64" x 3/4" (162.56 x 1.9 cm)	46" x 3/4" (116.8 x 1.9 cm)	30" x 3/4" (76.2 x 1.9 cm)
Wand Material	PVC and Polypropylene		
Input	115 VAC, 50/60 Hz (maximum tolerance 95 to 135 VAC)		
Output	115 VAC, 50/60 Hz, 5 amp Relay		
Environment	Ambient temperature -0 to 125° F (-17.8 to 52° C). Zero to 100% relative humidity		
Enclosure	NEMA 4X		
Enclosure Dimensions	7" W x 7" H x 6.62" D (17.78 x 17.78 x 16.81 cm)		
Shipping Weight	approximately 8 lbs		

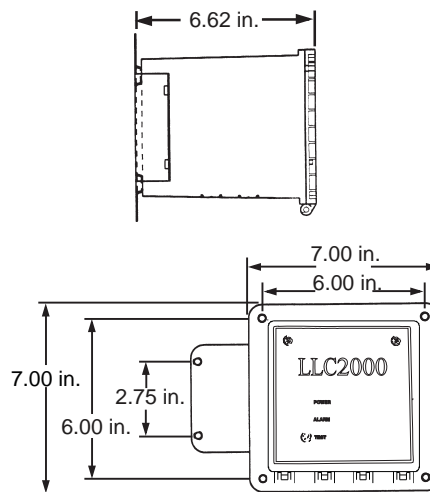
\* For 230 VAC add a "- 2" to the end of the Model Number

Wand Only	Description
16-171-81-4	Level Wand - Level adjustable up to 60". Switch contacts 28 VDC 50 mA. Order 16-171-81-3 when using PULSAtron Pumps with the Stop Function Feature.
16-171-81-1	Level Wand - Level adjustable up to 42". Switch contacts 28 VDC 50 mA. Order 16-171-81-3 when using PULSAtron Pumps with the Stop Function Feature.
16-171-81-2	Level Wand - Level adjustable up to 26". Switch contacts 28 VDC 50 mA. Order 16-171-81-3 when using PULSAtron Pumps with the Stop Function Feature.
16-171-81-3	10' cable w/ connector for 16-171-81-1, 16-171-81-2, 16-171-81-4 to use with PULSAtron Pumps with the Stop Function Feature.

## Typical Installation



## Dimensions



# NEMA 4X



An ISO Certified Company

**IDEX**  
IDEX CORPORATION  
GB013 K08

**PULSAFEEDER®**

A Unit of IDEX Corporation

**NOVA-TECH**  
INTERNATIONAL

800 Rockmead Dr Ste 102 • Houston, TX 77339-2496  
Tel: (281) 359-8538 • Toll Free Tel: (866) 433-6682  
Fax: (281) 359-0084 • Toll Free Fax: (866) 433-6684  
sales@novatech-usa.com • www.novatech-usa.com