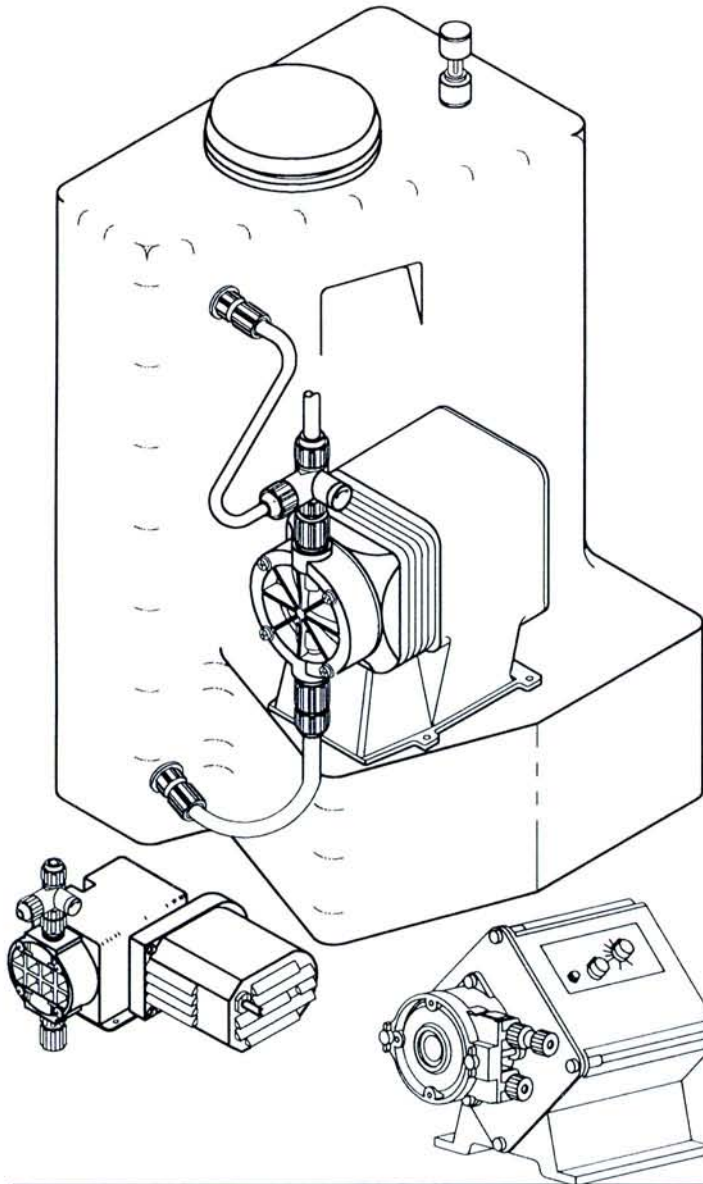


PULSAFEEDER

"ITS" - Integrated Tank System



The ITS System is a completely integrated tank system constructed of high density UV resistant polyethylene (PE) with a 15 gallon capacity. This tank system is translucent with 5 gallon increments and the tank's low level indicator allows visual monitoring of chemicals without opening the tank. The tight fitting child proof lid keeps the chemical free of contaminants and protects the surrounding area from chemical fumes.

The ITS System also allows for easy access to the liquid end and control panel of the mounted pump.

A system consists of a chemical tank with lid and bulkhead fittings; a liquid level indicator float assembly; and feeder mounting hardware.

- **LIQUID LEVEL WAND...**the tank's low level indicator allows visual monitoring of chemical supply without opening the tank.
- **CHILD PROOF LID...**the tight fitting lid keeps the chemical free of contaminates.
- **FLOODED SUCTION...**the flooded suction allows for continuous pumping without loss of prime.
- **UNIVERSAL PUMP MOUNT...**the ITS is predrilled for all pumps listed below.
- **BUILT-IN GRIP...**for easy lifting and moving of ITS System.
- **OPTIONAL SHUT-OFF VALVE...**available in PVC, allows maintenance on metering pump without emptying chemical.

MODEL	DESCRIPTION
J40488	15 gallon "ITS" with 1/4" PVC bulkhead for Chem-Tech Series CTP - NEW!
J40489	15 gallon "ITS" with 3/8" PVC bulkhead for Chem-Tech Series 100
J40490	15 gallon "ITS" with 1/2" PVC bulkhead for Chem-Tech Series 100
J40491	15 gallon "ITS" with 5/16" PVC bulkhead for PULSAtron "J" connection, #1 Housing ¹
J40492	15 gallon "ITS" with 3/8" PVC bulkhead for PULSAtron #1 connection, #1 Housing ¹
J40493	15 gallon "ITS" with 1/2" PVC bulkhead for PULSAtron "A" connection, #1 Housing ¹
J40494	15 gallon "ITS" with 5/16" PVC bulkhead for PULSAtron "J" connection, #2 Housing ¹
J40495	15 gallon "ITS" with 3/8" PVC bulkhead for PULSAtron #1 connection, #2 Housing ¹
J40496	15 gallon "ITS" with 1/2" PVC bulkhead for PULSAtron #3 connection, #2 Housing ¹

1. Reference specification sheet for exact models.

 **PULSAFEEDER**
A Unit of IDEX Corporation

NOVA-TECH
INTERNATIONAL
800 Rockmead Dr Ste 102 • Houston, TX 77339-2112
Tel: (281) 359-8538 • Toll Free Tel: (866) 433-6682
Fax: (281) 359-0084 • Toll Free Fax: (866) 433-6684
sales@novatech-usa.com • www.novatech-usa.com