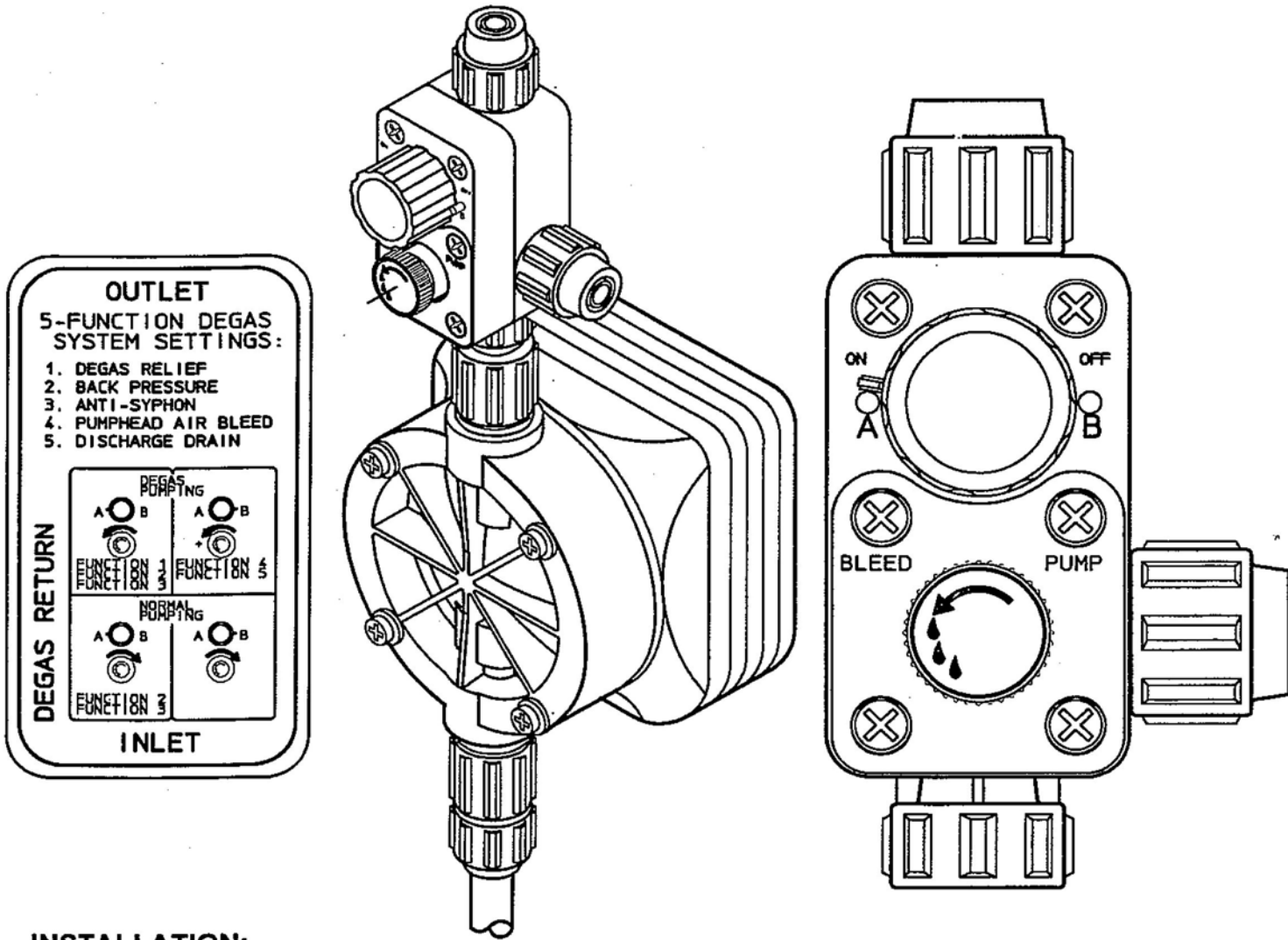


# 5-FUNCTION/DEGAS VALVE

## INSTALLATION OPERATION MAINTENANCE INSTRUCTIONS



### INSTALLATION:

**1. Tubing Version:**

Remove the tubing nut from the discharge valve cartridge on the top of the pump head. Install the supplied o-ring in to the groove around the tubing tip on the valve cartridge. Screw the 5-Function/Degas Valve onto the discharge valve of the pump. Connect the discharge tubing to the "OUTLET" port and the bypass tubing to the "RETURN" port of the 5-Function/Degas Valve.

**2. N.P.T. Version:**

Apply Teflon tape or sealant to the threads of the 5-Function/Degas Valve. Screw "INLET" connection into the discharge valve of the pump head. Connect piping to the "OUTLET" and "RETURN" port connections of the 5-Function/Degas Valve.

## **5-FUNCTION/DEGAS VALVE OPERATIONS:**

### **1. Degas Function:**

Designed to bypass gases and fluid during normal pump operation. The bypass feature allows for the constant removal of gases that would otherwise "air bind" the pump. A typical bypass flow would be 1-10% of pump output.

### **2. Back Pressure Function:**

The back pressure function allows the pump to meter to atmosphere by creating a discharge restriction of approximately 20-psi. Back pressure is provided any time the top knob is turned to "A", also labeled "ON" position. Note: The back pressure function is not intended to prevent flow-through from elevated supply tanks. The pump's rated pressure does not have to be derated when the back pressure knob is in the "ON" position.

### **3. Anti-Syphon Function:**

The anti-syphon function prevents syphoning through the pump when pumping to a receptacle lower than the pump. This feature is active when the top knob is turned to the letter "A", also labeled "ON" position.

### **4. Pump head Air Bleed Function:**

This function is used when starting the pump to aid in priming. It allows for removal of air from the pump head by bypassing air and fluid out the "RETURN" connection. This feature will function when the bottom knob is turned fully counter clockwise until it stops, also labeled "BLEED" position.

### **5. Discharge Drain Function:**

This function is used to depressurize and/or drain the pump discharge line. This is accomplished by turning the top knob to the "B", also labeled "OFF" position, and the bottom knob fully counter clockwise until it stops, also labeled "BLEED" position. This will bypass the discharge line fluid through the "RETURN" line of the 5-Function/Degas Valve.

**Maintenance:** The only two maintenance items required are:

- 1.** Replace the diaphragm whenever the pump head diaphragm is replaced. Sometimes when pumping dirty fluids, solids may become trapped between the PRV diaphragm(bottom one) and the PRV seat. This may cause the PRV to leak slightly. This is easily remedied by removing the diaphragm and wiping it with a cloth and reinstalling it. If the damage is excessive, the diaphragm must be replaced.
- 2.** If the degas/bypass feature becomes plugged it may be necessary to soak the valve in water or a suitable fluid to dissolve solids. In extreme cases the .031"-Diameter hole in the bleed valve body may have to be cleared.

# 5-FUNCTION/DEGAS VALVE

## SPECIFICATIONS:

Material of construction:

Valve body: . . . Polyvinylidene Fluoride(PVDF),  
 . . Polyvinyl Chloride(PVC).

Diaphragm: . . . . Teflon faced Hypalon.

O-rings: . . . . . Viton or Hypalon.

Hardware: . . . . . 188 Stainless Steel(recessed).

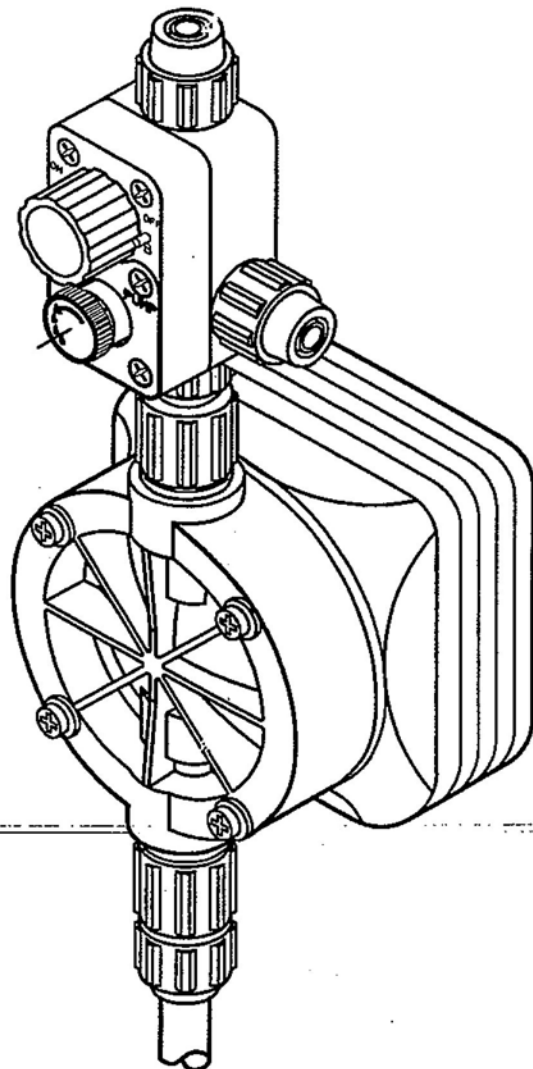
Maximum Pressure: 250-P.S.I.

Maximum Flow: 240-G.P.D.

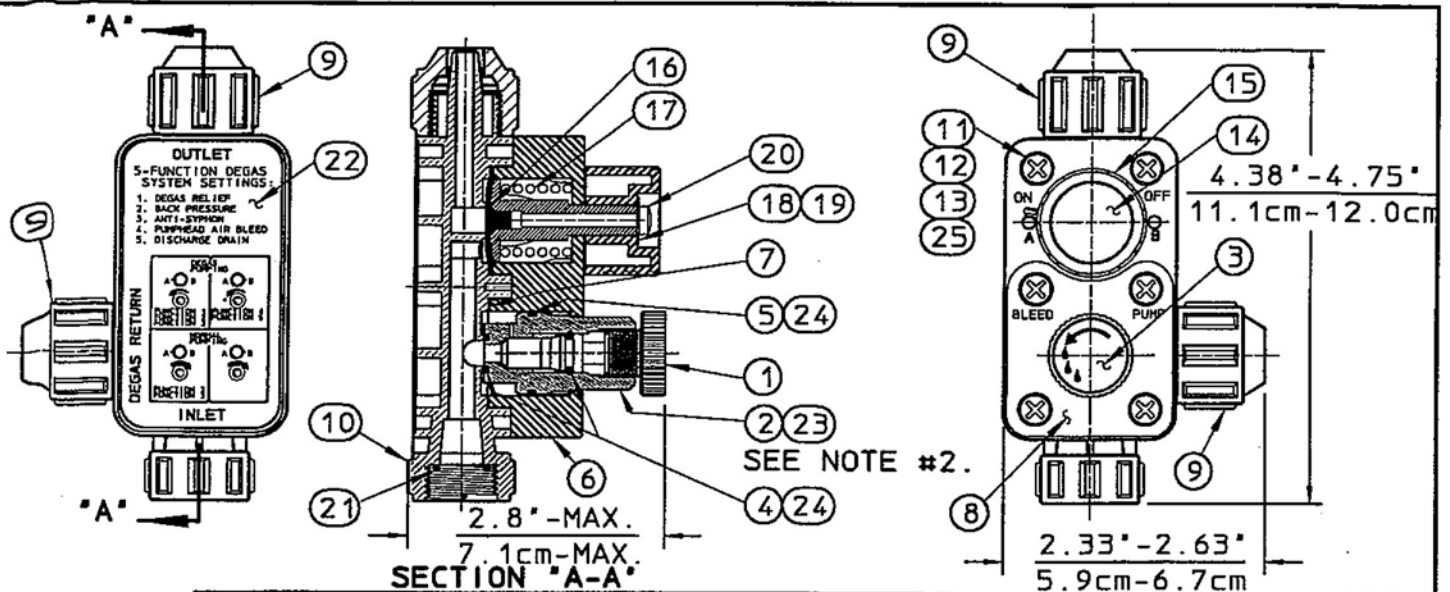
Maximum Viscosity: 1000-CPS.

**Note:** Degas/bypass volume is adjustable, typically 1-10%.

Connections: .25"-Male N.P.T.,  
 .38" x .50"-TUBING,  
 .25" x .38"-TUBING,  
 G-1/2-A-TUBING.



.25" -MALE NPT CONN.		.38" -O.D.TUBING CONN.		.50" -O.D.TUBING CONN.		G-1/2-A METRIC PIPING	
MODEL #	VLV. BODY MATERIAL	MODEL #	VLV. BODY MATERIAL	MODEL #	VLV. BODY MATERIAL	MODEL #	VLV. BODY MATERIAL
L385KH02-PVD	PVDF	L385KH01-PVD	PVDF	L385KH03-PVD	PVDF	L385KH0R-PVD	PVDF
L385KV02-PVD	PVDF	L385KV01-PVD	PVDF	L385KV03-PVD	PVDF	L385KV0R-PVD	PVDF
L385KH02-PVC	PVC	L385KH01-PVC	PVC	L385KH03-PVC	PVC	L385KH0R-PVC	PVC
L385KV02-PVC	PVC	L385KV01-PVC	PVC	L385KV03-PVC	PVC	L385KV0R-PVC	PVC



MAT'L	PART #	QTY	DESCRIPTION	ITEM
PVC PVD	L1110200	1	SHAFT AS'Y, VALVE SCREW, 5-FUNCT/DEGAS	1
PVC PVD	L1110000	1	ADAPTER, CONVERSION VALVE 5-FUNCT/DEGAS	2
000 000	L1701305	1	LABEL, DECAL BLEED SCREW	3
HYP VTN	L1501100	2	GASKET, 2-010 O-RING	4
HYP VTN	W078200	1	GASKET, 2-018 O-RING	5
PVC PVD	L1109900	1	BLOCK, MODIFIED VLV 5-FUNCT/DEGAS	6
HYP VTN	L1503300	1	GASKET, FLAT	7
000 000	L1713700	1	LABEL, BLEED/PUMP DECAL 5-FUNCT/DEGAS	8
PVC PVD	L1100300	2	NUT, COUPLING .38"-TUBE	9*
PVC PVD	L1100400	2	NUT, COUPLING .50"-TUBE	
- PVD	L1103900	1	BODY, VALVE .25"-NPT 5-FUNCTION	10
PVC -	L1106100	1	BODY, VALVE .25"-NPT 5-FUNCTION	
- PVD	L1104000	1	BODY, VALVE .38"-TUBE 5-FUNCTION	
PVC -	L1106200	1	BODY, VALVE .38"-TUBE 5-FUNCTION	
- PVD	L1104100	1	BODY, VALVE .50"-TUBE 5-FUNCTION	
PVC -	L1106300	1	BODY, VALVE .50"-TUBE 5-FUNCTION	
- PVD	L1106400	1	BODY, VALVE G-1/2-A 5-FUNCTION	
PVC -	L1106500	1	BODY, VALVE G-1/2-A 5-FUNCTION	
188 188	L9804700	6	SCREW, #10-32 x1.5"-lg. PHP	11
- -	U0812299	6	NUT, HEX #10-32 x.13"-thk.	12
000 000	L9805000	6	WASHER(SST), FLAT #10 SMALL	13
000 000	L1701600	1	LABEL(BLK), DECAL, STROKE LENGTH KNOB	14
FPP FPP	L1900600	1	KNOB, ADJUSTMENT 5-FUNCT/DEGAS	15
000 000	L0301900	1	DIAPHRAGM AS'Y, 5-FUNCT/DEGAS VALVE	16
000 000	L1104600	1	SPRING, VALVE 150-PSI 5-FUNCTION	17
188 188	L9904400	1	SPRING, CURVED WASHER	18
188 188	L9804600	1	WASHER, FLAT $\phi$ .19 x $\phi$ .56 5-FUNCTION	19
STL STL	L9800200	1	SCREW, #8-18 x.75"-lg. SELFTAP	20
TFE TFE	L1501200	1	GASKET, 2-013 O-RING	21
000 000	L1713500	1	LABEL, INSTRUCTION DECAL 5-FUNCT/DEGAS	22
188 188	L9902100	2	PIN(SST), ROLL $\phi$ .06x.63"-lg.	23
- -	U8800462	A/R	LUBE, SILICONE	24
- -	J42020	12	WASHER(SST), FLAT #10 x.03"-thk.	25

NOT REQUIRED ON NPT OR G-1/2-A CONNECTIONS - \*

- NOTES: 1) WHEN INSTALLING O-RINGS (IT.#4 & #7), LUBE WITH PARKER SUPER O-LUBE (IT.#24) TO PREVENT O-RING DAMAGE.  
 2) INSTALL CONVERSION VALVE ADAPTER (IT.#2) WITH SMALL BYPASS HOLE IN A VERTICAL POSITION TOWARDS KNOB (IT.#15).