

Controllers from PULSAtrolE MBC series continuously protect boiler systems from the harmful effects of scaling and corrosion. They are designed using advanced microprocessor technology and the latest in surface mount assembly techniques. The result is amazing versatility in a compact, reasonably priced controller package. The units are easy to program using the clearly labeled keyboard and the bright alpha-numeric display.

Key Features:

- A high resolution 10 bit A/D converter and adjustable analog sample sensitivity for greater accuracy from all sensor inputs.
- Fully isolated differential inputs for all circuits help prevent the possibility of ground loops.
- Keyboard activated hand/off/auto control of all relay outputs.
- Modular hardware and software for easy access and servicing.
- A prewired NEMA type 4X enclosure for protection from harsh environments.
- Optional features include a serial line communications and the capability to control.
- Bi-lingual programs.



Series 300

Selections

STANDARD FEATURES		AVAILABLE FOR OPTIONS					
		analog in	digital in	analog out	dry contact	relay out	serial comm
110	Cond. control w/ selectable sample mode, 1 line display (continuous or timed)	0	1	1	1	2	0

Options*

		SERIES	REQUIRED FOR OPTIONS					
			analog in	digital in	analog out	dry contact	relay out	serial comm
A	Conductivity: In-line type Max. Press. 250 psi, Max. Temp. 400°F, Stainless steel Temp. Comp.	100/200/300						
C	Selectable timer: percent, limit, pulse w/ accumulator	100/200/300		1			1	
D	Alarm output relay (100 Series requires relay out)	100/200						
E	Additional Boiler Controller	100/200/300	1				1	
K	Alarm dry contact (100 Series requires relay out)	100/200/300				1		
L1	Serial line communication	200/300						1
L2	Serial line communication & modem (120v)	200/300						1
L3	Alarm call out (requires a modem, L2 option)	200/300						
L4	No Serial Line Communication Software	200/300						
M3	One 4-20 mA isolated proportional programmable output	100/200/300			1			

*For additional information about PULSAtrol Model and available options see Reference Guide No. RGP-001.

PULSAtrolE MBC Controller Series



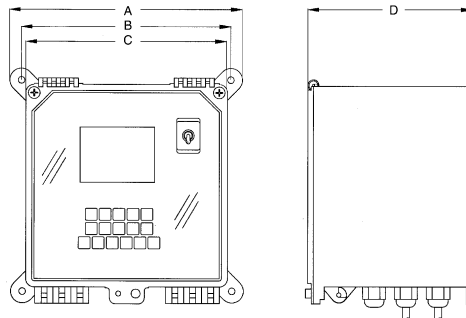
Series 100



SURFACE MOUNT TECHNOLOGY (SMT)
circuit board design provides higher quality and dependability

PULSAtrolE Specifications

FEATURES/CONTROLLERS	SERIES 100
Enclosure	Nema 4X - High Impact Resistant PVC
Power Requirements	90 - 250 VAC @ 50/60 Hz, 100 VA
Control Output	Line Voltage @ 600 VA Per Relay (5 amps @ 120 VAC)
Display	1 X 8 Alpha Numeric, Lighted Display
Recessed Front Panel Power Switch	N/A
Lockable Viewing Window	N/A
Hi/Lo Alarm Indicator	Standard
10 Bit A/D resolution	Standard
Standard pH Scale	0 - 14 pH
Standard Conductivity Scale	0-500, 0-2,000, 0-5,000, 0-10,000 and 0-20,000 μ S/cm
Standard ORP Scale	0-1000 mV
Front Panel H/O/A Control	Standard
Analog Inputs	One
Digital Inputs	Two
Analog Outputs	One
Alarm Dry Contacts	One
Relay Outputs	Three
Timers	Programmable
Security Code	N/A
Accuracy - At point of measure excluding sensor	+/- 1%
Maximum Pressure of Standard Flow Assembly	200 PSI @ 70° F 125 PSI @ 125° F 8.62 Bars @ 52° C
Sensors:	Consult Factory
Differential	Programmable
Standard Plumbing	Glass Filled Polypropylene (GFPP) Slip or Threaded
Electronic Environment	0 - 125° F -17.8 - 52° C 100% Humidity
Controller Weight	6 lbs (2.5 kgs)
Shipping Weight	8 lbs (3.7 kgs)



DIMENSION	SERIES 100
A	7.00 in.(sq.) 17.78cm
B	6.00 in.(sq.) 15.24cm
C	5.75 in.(sq.) 14.60cm
D	6.50 in. 16.5cm
Controller Weight	6 lbs. 2.5kgs
Shipping Weight	8 lbs. 3.7kgs

An ISO 9002 System-Certified Company

 A Unit of IDEX Corporation



NOVA-TECH
 INTERNATIONAL
 800 Rockmead Dr Ste 102 • Houston, TX 77339-2112
 Tel: (281) 359-8538 • Toll Free Tel: (866) 433-6682
 Fax: (281) 359-0084 • Toll Free Fax: (866) 433-6684
 sales@novatech-usa.com • www.novatech-usa.com