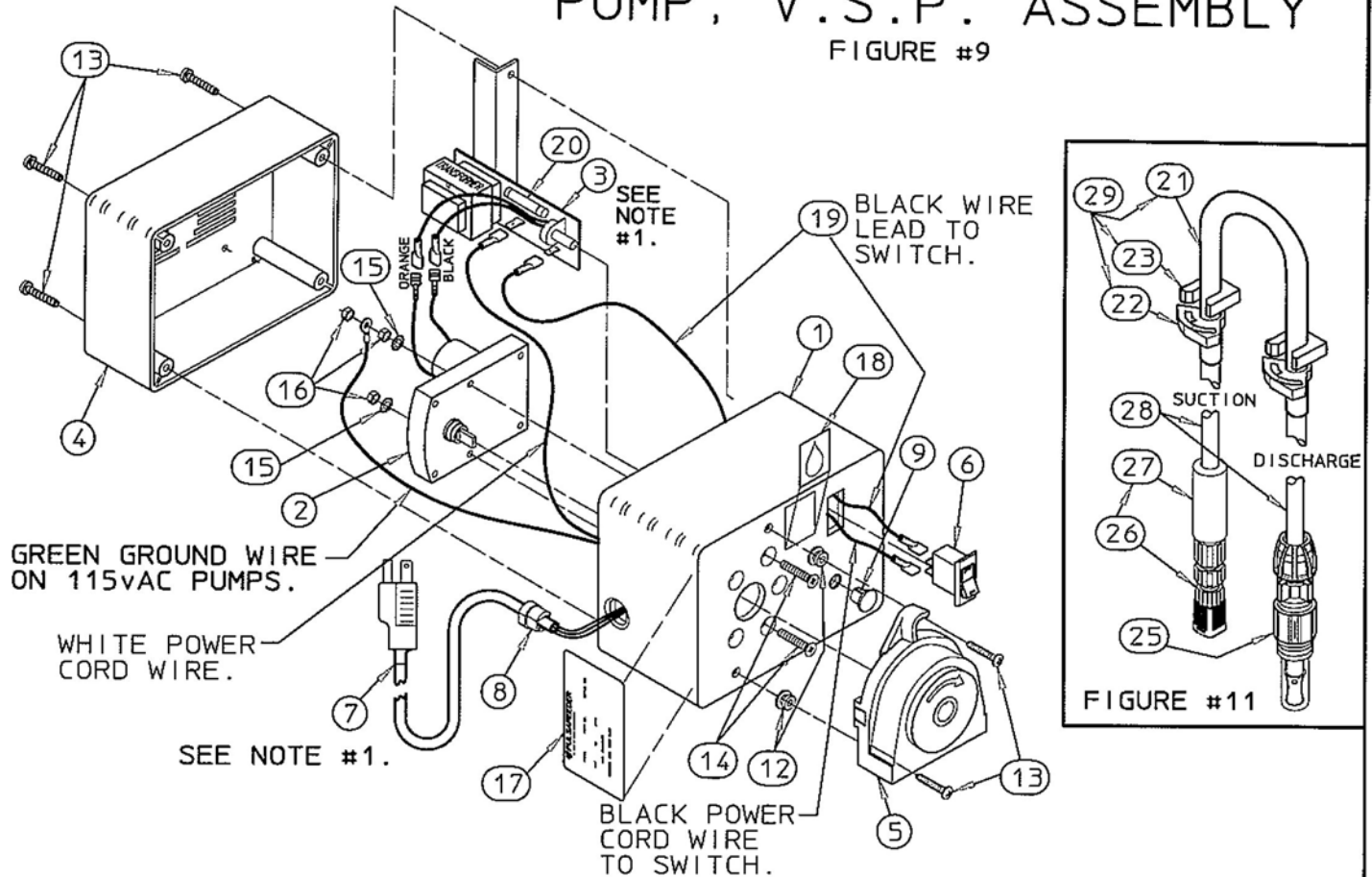


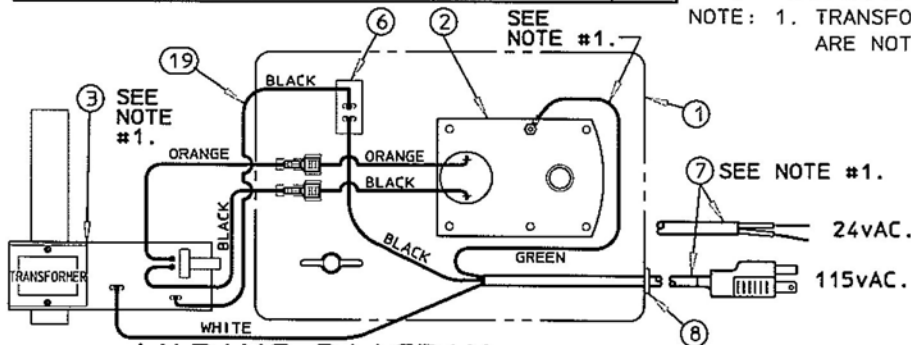
PUMP, V.S.P. ASSEMBLY

FIGURE #9



ITEM	DESCRIPTION	PART#	QTY	ITEM	DESCRIPTION	PART#	QTY
1	PUMP HOUSING (FRONT)	U0819142	1	17	LABEL, SERIAL	U0817681	1
2	MOTOR	U0818679	1	18	LABEL, MOM TEARDROP	U0817935	1
3	CIRCUIT BOARD (24vAC)	U0818305	1	19	LEAD ASS'Y (BLACK)	L9710200-000	1
	CIRCUIT BOARD (120vAC)	U0818306	1	20	FUSE, 24vAC / .5-amp / .25' x 1.25'	U0818463	1
4	COVER, PUMP HOUSING	U0819143	1		FUSE, 120vAC / .25-amp / .25' x 1.25'	U0818464	1
5#	PUMP HEAD ASS'Y w/ LUBE	U8800651	REF	21	NORPRENE TUBE ϕ .44' (VSP-20)	U0817926	1
5a	PUMP HEAD HOUSING	U0817134	1		NORPRENE TUBE ϕ .38' (VSP-12)	U0818462	1
5b	PUMP HEAD COVER	U0817133	1		VITON TUBE ϕ .44'	U0818134	1
5c	SPIDER ASS'Y	U0817219	1	+	VITON TUBE ASSY ϕ .38'	U0818324	1
5d	BEARING	U0817121	2	22	HOSE CLAMP	U0817742	2
6	SWITCH/ROCKER	U0817923	1	23	TUBE COLLAR (ϕ .38 / .44'-TUBE)	U0817123	2
7	POWER CORD ASS'Y (24vAC)	U0818320	1	25	INJECTION FITTING	U8800712	1
	POWER CORD ASS'Y (120vAC)	U0817998	1	26	STRAINER ASS'Y	J60552	1
8	STRAIN RELIEF	L9900700-000	1	27	STRAINER WEIGHT	L9906700-000	1
9	HOLE COVER	U0818083	1	28	TUBING, PE .25' x 15' COIL	U0818286	1
10				29*	TUBE KIT ϕ .38' NORPRENE BLK. (VSP-12)	U8800700	REF
11				*	TUBE KIT ϕ .44' NORPRENE BLK. (VSP-20)	U7013397	REF
12	COLLAR, PERI HEAD MOUNT	U0819132	2	30	KIT, LUBE PAD	U8800721	REF
13	SCREW, #8-18 x 1.0' lg.	L9806200-188	6				
14	SCREW, #8-32 x 1.250' lg.	U0818666	2				
15	WASHER, EXT. TOOTH #10	U0811297	2				
16	NUT, #8-32 x .12'-thk.	32946	3				

* = INCLUDES ITEMS #21-23.
 + = INCLUDES COLLARS (ITEM #23).
 # = INCLUDES ITEMS #5a thru 5d.
 NOTE: 1. TRANSFORMER, GROUND WIRE & POWER CORD PLUG ARE NOT PRESENT ON 24vAC VERSION PUMPS.



WIRING DIAGRAM
FIGURE #10