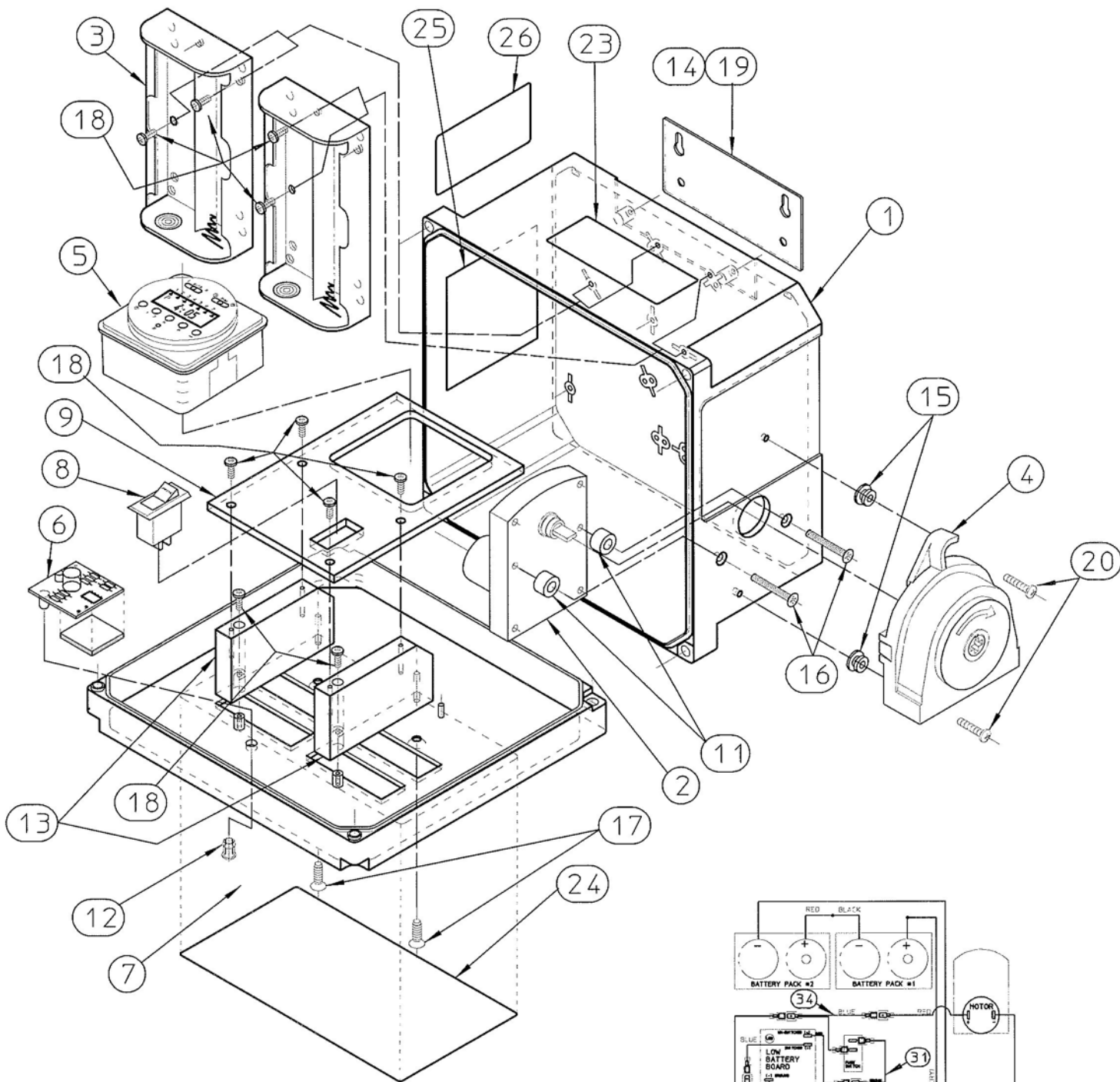
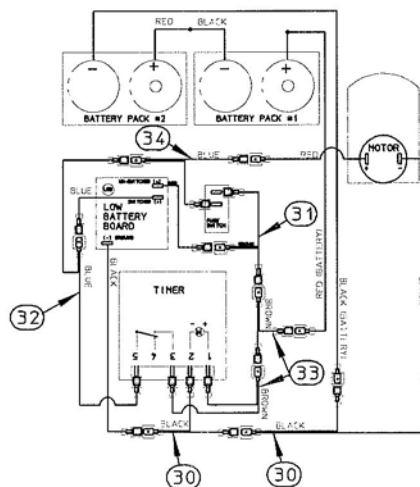


EXPLODED ASSEMBLY



NOVA-TECH
INTERNATIONAL

800 Rockmead Dr Ste 102 • Houston, TX 77339-2112
Tel: (281) 359-8538 • Toll Free Tel: (866) 433-6682
Fax: (281) 359-0084 • Toll Free Fax: (866) 433-6684
sales@novatech-usa.com • www.novatech-usa.com



WIRING DIAGRAM

FIGURE #4

ASSEMBLY PARTS LIST(continued)

ITEM	PART #	PART DESCRIPTION	QTY
AS'Y	UT24-AD-	2400T-DC BATTERY PERISTALTIC PUMP	REF
1	U0819362	ENCLOSURE(ABS-BLK) AS'Y	1
2	U0818881	MOTOR, 12VDC, 2400T-DC	1
3	U0818902	BATTERY HOLDER AS'Y, 2400T-DC	1
4	U0818932	HEAD AS'Y, w/PAD LG.-SPACER 2400T-DC PERI	1
5	U0819037	TIMER, DIG./AMPM/12VDC/W/DIN	1
6	U0818903	PCB AS'Y, 2400T-DC LOW BATTERY	1
a	U0020522	TAPE, .13 x 2.0in.-WIDE FOAM DBL-SIDED	REF
7	U8800329	LOCK KIT, 2400T-DC KEYED	option
a	U0818878	LOCK AS'Y, w/KEY	1
b	U0819373	BRACKET, LOCK LATCH	REF
	U0020554	GUIDE(ABS-GRY), .25 x .6 x 2.0in.-LG.	2.0in.
8	U0818061	SWITCH,/PRIMR TA 10B-TR-8-XME	1
9	U0819356	PANEL(ABS-BLK), 2400T-DC CONTROL	1
11	NC980005-000	SPACER(NYL), .257-ID x .5-OD x .31in.-LG.	2
12	09-096-00	MOUNT(BLK), LED CLIP	1
13	U0819357	BLOCK(PE-WHT), PANEL SPACER	2
14	U0819318	PLATE(SST), 2400T-DC MOUNTING w/SCREWS	1
15	U0819132	COLLAR(SST), PERI HEAD MOUNT	2
16	U0818666	SCR(SST), #8-32X 1.25in.-LG. FHP	2
17	U0817942	SCR(SS), #10-32 x.75-LG. TYPE-F FHP	2
18	U0900857	SCR(SST), #6-20 x.38 TYPE-BT PHP	10
19	U0818206	SCREW(SST), #6-32 x .38in.-LG. FHP	2
20	L9800200-188	SCREW(SST), #8 x .75in.-LG. SELFTAP PHP	2
23	U0818971	LABEL, CAUTION(REMOVE BATTERY) DECAL	1
24	U0819277	LABEL, LOGO/MOM/2400T-DC DECAL	1
25	U0818954	LABEL, LOW BATT 2400T-DC DECAL	1
26	U0818925	LABEL, DATA 2400T-DC NO-LOGO/APPROVALS	1
29	J42310	TIE(NYL), WIRE .1in.-wide X 3.0in.-LG.	3
30	NC970016-000	'Y'-LEAD(BLK) AS'Y, 2.0in.-LG.M(1)xF(2)	2
31	NC970017-000	'Y'-LEAD(BRN) AS'Y, 4.0in.-LG.M(1)xF(2)	2
32	NC970018-000	'Y'-LEAD(BLU) AS'Y, 4.0in.-LG.M(1)xF(2)	2
33	NC970019-000	'Y'-LEAD(BRN) AS'Y, 2.0in.-LG.M(1)xF(2)	2
34	L9710500-000	'Y'-LEAD(BLU) ASY, 2.0x4.0in.-LG.M(1)xF(2)	1
39	U0818895	TUBE .25in.X.170in X 20FT.PE	1
40	U0818893	LIT.KIT, 2400T-DC, .44-NOR(BLK)	REF
	U0818950	LIT.KIT, 2400T-DC, .44-VITON(CREAM)	REF
		COLLARS, CLAMPS, FEET, HEAD TUBING, MANUAL, INJ. VALVE ASY, STRAINER ASY,	
41	U8800330	SCREW KIT, THUMB KNOB w/RETAINING WSHR	option
a	L9802600-188	SCREW(SST), #10-32 x 1.25in.-LG. SHCS	2
b	NC190000-000	KNOB(BLK), #10 THUMB SCREW	2
c	U0818026	SPACER(STL), .38x.19x.355in.-LG.	2
d	03-005-16-E	WASHER(NYL), .275-OD x .175-ID x .02-THK	2

ASSEMBLY PARTS LIST(WET END)

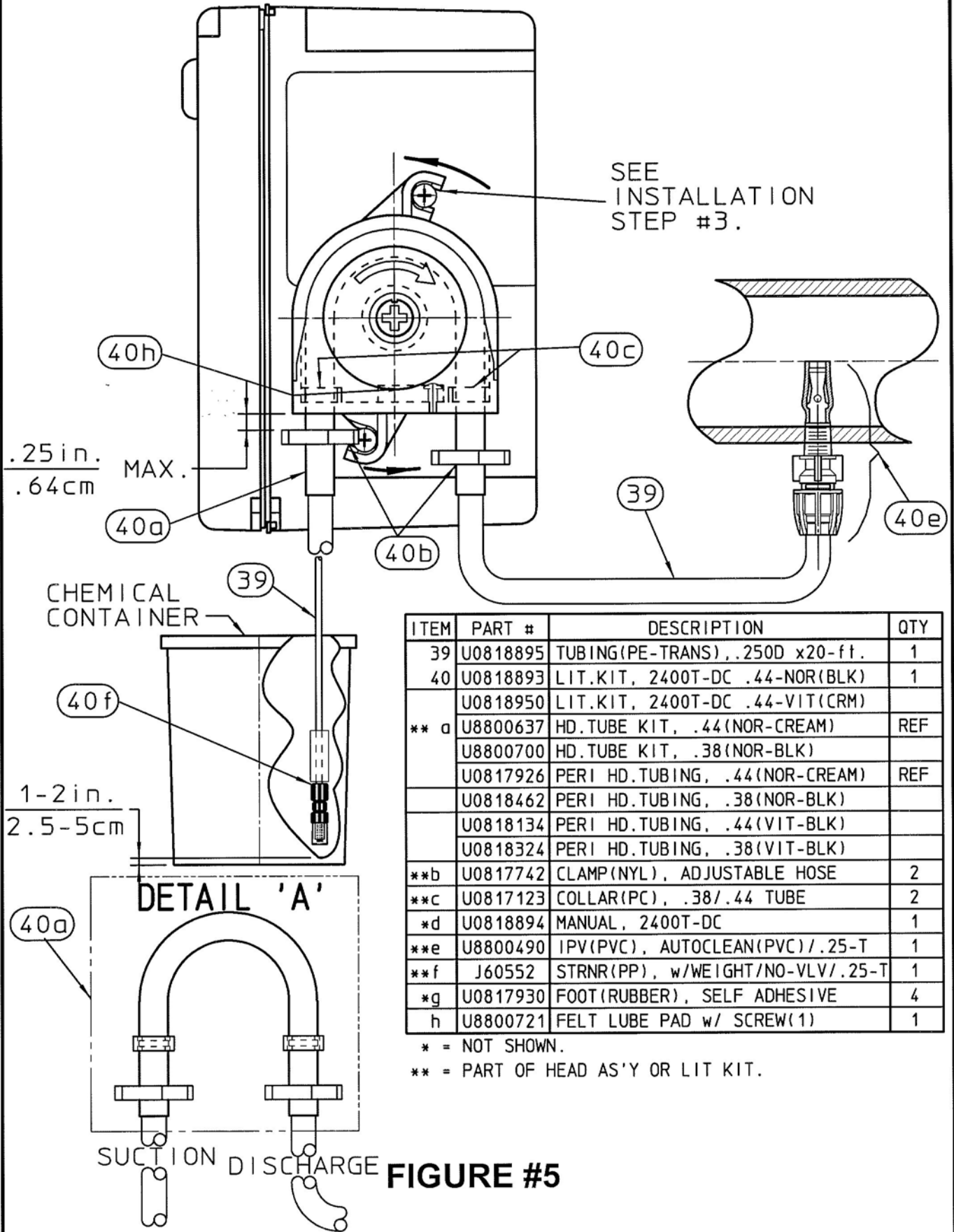


FIGURE #5