

Information Sheet

Polyethylene Tank and Cover Assembly and Accessories

MODEL NO. 26350 50 GALLON TANK ASSEMBLY

- Ultraviolet resistant, molded yellow polyethylene tank.
- High rigidity black polyethylene cover with molded recess for mounting of pump, agitator* and liquid level switch.
- 5 gallon (20 liter) graduations
- Self supporting, tapered sides.
- Suitable for most corrosive and noncorrosive solutions.
- Can be nested up to four (4) per carton for shipping economy.

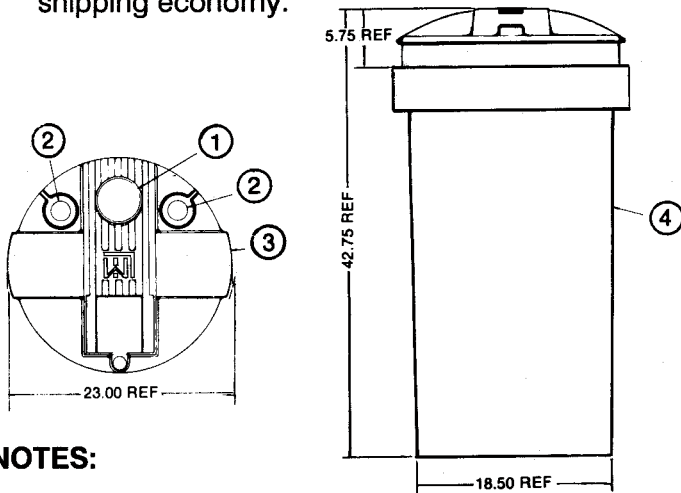


Model No. 26350

COMPONENT PARTS

| Ref No. | Part No. | Description | Qty |
|---------|----------|--|-----|
| 1 | 25985 | Caplug Assembly Black Polyethylene | 1 |
| 2 | 10346 | Caplug Assembly Black Polyethylene | 2 |
| 3* | 26637 | Cover, Black Polyethylene | 1 |
| 4 | 25688 | Tank, 50 Gallon Yellow Polyethylene | 1 |

Shipping wt. 25 lbs (11.4 kg)



NOTES:

1. Full, flat bottom support required.
2. Maximum solution/ambient temperature 110°F (43°C)
3. Minimum solution/ambient temperature 0°F (-18°C)
4. Maximum weight limit for cover 50 lbs (23 kg)
5. Not suitable for use with concentrated organic solvents, oils and related materials.

**Cover must be drilled at factory for agitator mounting.
Please indicate your desire for this option when ordering.*



NOVA-TECH
INTERNATIONAL

800 Rockmead Dr Ste 102 • Houston, TX 77339-2112
Tel: (281) 359-8538 • Toll Free Tel: (866) 433-6682
Fax: (281) 359-0084 • Toll Free Fax: (866) 433-6684
sales@novatech-usa.com • www.novatech-usa.com



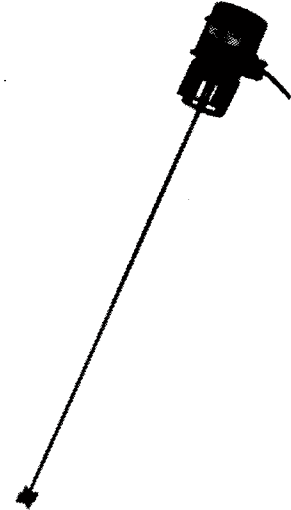
Replaces same of Rev. C 6/96
1057.D 3/97

AGITATORS WITH SUCTION TUBE SHIELD

| 115V Model | Shaft Length | Impeller | Motor |
|------------|--------------|------------|---|
| No. 10590 | 34" S.S. + | 303 S.S.+ | 1600 RPM, 115 VAC, 50/60 Hz., 1.5 AMP. 175 WATTS, 1/20 H.P. |
| No. 10592 | 34" S.S. + | Neoprene** | |
| No. 27591 | 27" S.S. + | 303 S.S.+ | |

| 220V Model | Shaft Length | Impeller | Motor |
|------------|--------------|------------|--|
| No. 25290 | 34" S.S.+ | 303 S.S.+ | 1600 RPM, 220-240 VAC, 50 Hz., .75 AMP. 175 WATTS 1/20 H.P. DIN Plug |
| No. 25292 | 34" S.S.+ | Neoprene** | |
| No. 34504 | 27" S.S.+ | 303 S.S.+ | |

- + *Epoxy chemical resistant coating.*
 ** *Has bronze hub for noncorrosive abrasive slurries only.*



LIQUID LEVEL SWITCH MODEL NO. 26731

- Corrosion resistant housing of glass - fiber, reinforced polypropylene.
- Chemical resistant polypropylene float.
- Receptacles for connection to metering pump and low level signal device (alarm).
- Convenient mounting on an LMI 50 gallon tank with cover assembly.
- Electrical: Voltage 115 VAC, 50/60 Hz. Max Load: 3 Amps. Also available in 230 VAC, (Model No. 26732).