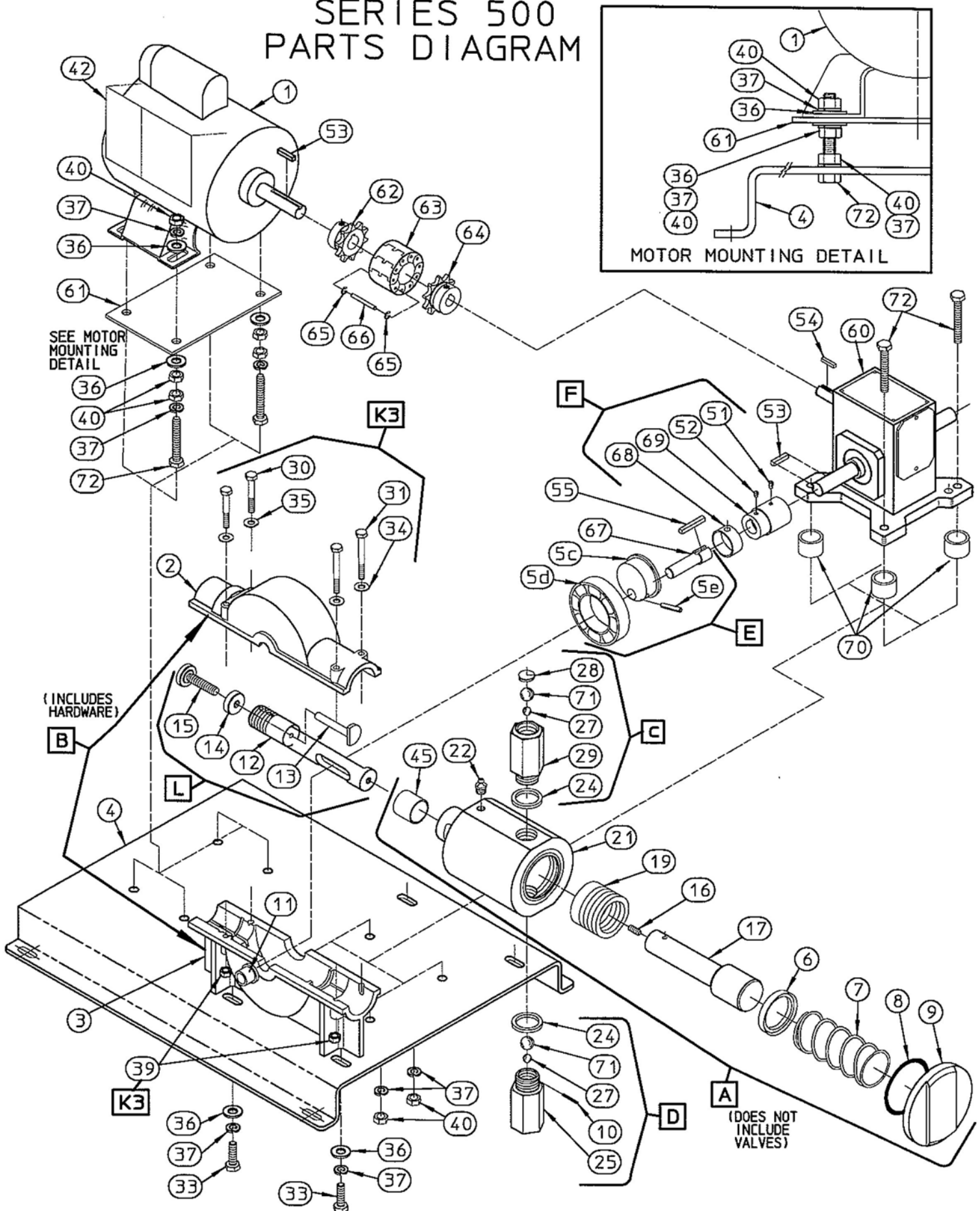


# SERIES 500 PARTS DIAGRAM



# SERIES 500 PARTS LIST

ITEM	PART#	DESCRIPTION	QTY
1	32590	MOTOR 300 1/2 3 OPEN 333	1
	32595	MOTOR 300 1/2 2 OPEN	
	32559	MOTOR 300 1/2 1 OPEN 50 HZ.	
	32560	MOTOR 300 1/2 1 OPEN BB	
2	J29240	HOUSING, TOP	1
3	J29241	HOUSING, BOTTOM	1
4	20704	BASE DUPLEX (D133 REDUCER)	1
5c	22263	CAM, MAIN BEARING	1
5d	20845	BALL BEARING	1
5e	33771	ROLL PIN	1
6	38710	SPACER, PACKING 1"	1
	38711	SPACER, PACKING 1.25"	
	38712	SPACER, PACKING 1.50"	
7	38987	SPRING	1
8	33082	O-RING, 1"PIST	1
9	28840	CAP, HEAD 1" CRS	1
	28841	CAP, HEAD 1" SS	
	28842	CAP, HEAD 1.25/1.50 CRS	
	28843	CAP, HEAD 1.25/1.50 SS	
10	33767	PIN, SUCTION	1
11	21972	BUSHING	1
12	38220	SLIDE	1
13	33764	PIN, SLIDE	1
14	32971	NUT, ADJ. SCREW LOCK	1
15	37090	SCREW, ADJUST.	1
16	37053	SCREW, 1/4-28 x .5"	1
17	34188	PISTON 1" DIA.	1
	34189	PISTON 1.25" DIA.	
	34190	PISTON 1.50" DIA.	
19	33424	PACKING SET, 1" NEO	1
	33425	PACKING SET, 1.25 NEO	
	33426	PACKING SET, 1.50 NEO	
	33431	PACKING SET, 1" TEFLON	
	33432	PACKING SET, 1.25 TEFLON	
21	28828	HEAD, PISTON, 1.0 (CRS)	1
	28829	HEAD, PISTON, 1.0 (SST)	
	28830	HEAD, PISTON, 1.25-1.5 (CRS)	
	28831	HEAD, PISTON, 1.25-1.5 (SST)	
22	26811	GEASE FITTING	1
24	37306	SEAL RING	2
25	21277	VALVE BODY, SUCTION	1
27	20579	VALVE BALL, .44"	2
28	38989	SPRING, VALVE BALL RETAIN.	1
29	21278	VALVE BODY, DISCHARGE	1
30	21406	BOLT, .25"-20 x 2"	2
31	21407	BOLT, .25"-20 x 2.2"	2
33	21411	BOLT, .31"-18 x 1"	2
34	42022	WASHER, .28" x .62" FLAT	2
35	42035	WASHER, 'D'	2
36	42053	WASHER, .31" FLAT	10
37	J42052	WASHER, .31" LOCK	14
39	J32942	NUT, .25"-20	4
40	J32944	NUT, .31"-18	16
42	60608	LABEL, DATA BLANK	1
45	21970	BUSHING	1
51	37047	SET SCREW #10-32 x .25"	1
52	37059	SET SCREW #10-32 x .15"	1
53	J30120	KEY, CAM SHAFT	2
54	J30126	KEY, .125"SQ. x .75-LG.	1
55	30121	KEY, CAM BEARING	1

ITEM	PART#	DESCRIPTION	QTY
60	J35913	REDUCER SPEED, 15:1	1
	J35916	REDUCER SPEED, 30:1	
	J35918	REDUCER, SPEED, 60:1	
61	34407	PLATE, MOTOR	1
62	39180	SPROCKET, MOTOR, .63	1
63	24976	COUPLING CHAIN	1
64	39181	SPROCKET, REDUCER, .50	1
65	36400	RETAIN. RING, COUPLING CHAIN	2
66	33765	PIN, COUPLING CHAIN	1
67	37892	SHAFT, MAIN (D133)	1
68	21974	BUSHING (D133)	1
69	24985	COUPLING, SHAFT (D133)	1
70	J38739	SPACER, REDUCER	4
71	20500	VALVE BALL, .94"	2
72	21424	BOLT, .31"-18 x 2"	8

## ASSEMBLY KIT NUMBERS

ITEM	PART#	DESCRIPTION	QTY
A	28933	PISTON HEAD AS'Y 1.00"(CRS)	1
	28935	PISTON HEAD AS'Y 1.25"(CRS)	
	28937	PISTON HEAD AS'Y 1.50"(CRS)	
	28934	PISTON HEAD AS'Y 1.00"(SST)	
	28936	PISTON HEAD AS'Y 1.25"(SST)	
	28938	PISTON HEAD AS'Y 1.50"(SST)	
B	29247	HOUSING SET AS'Y(D133)	1
	+29248	HOUSING SET AS'Y(D133) DUPLEX	
C	41673	DISCHARGE CHECK VALVE AS'Y.	1
D	41675	SUCITON CHECK VALVE AS'Y.	1
E	22261	CAM/BEARING AS'Y. (D133)	1
F	25004	COUPLING AS'Y. (D133)	1
L	38224	SLIDE ARM AS'Y.	1
	+38225	SLIDE ARM AS'Y. DUPLEX	

+ NOTE: FOR DUPLEX MODELS ONLY.

## HARDWARE REPLACEMENT KITS

ITEM	PART#	DESCRIPTION	QTY
K3	J61532	KIT, HOUSING HARDWARE SET	REF
30	21406	BOLT .25 x 2"-lg.	2
31	21407	BOLT .25 x 2.2"-lg.	2
34	42022	WASHER, FLAT	2
35	42035	D-WASHER, FLAT	2
39	32942	NUT, .25"-20 HEX	4

J32065.016.  
6-K-0.

**NOVA-TECH**  
**INTERNATIONAL**

800 Rockmead Dr Ste 102 • Houston, TX 77339-2112  
Tel: (281) 359-8538 • Toll Free Tel: (866) 433-6682  
Fax: (281) 359-0084 • Toll Free Fax: (866) 433-6684  
sales@novatech-usa.com • www.novatech-usa.com