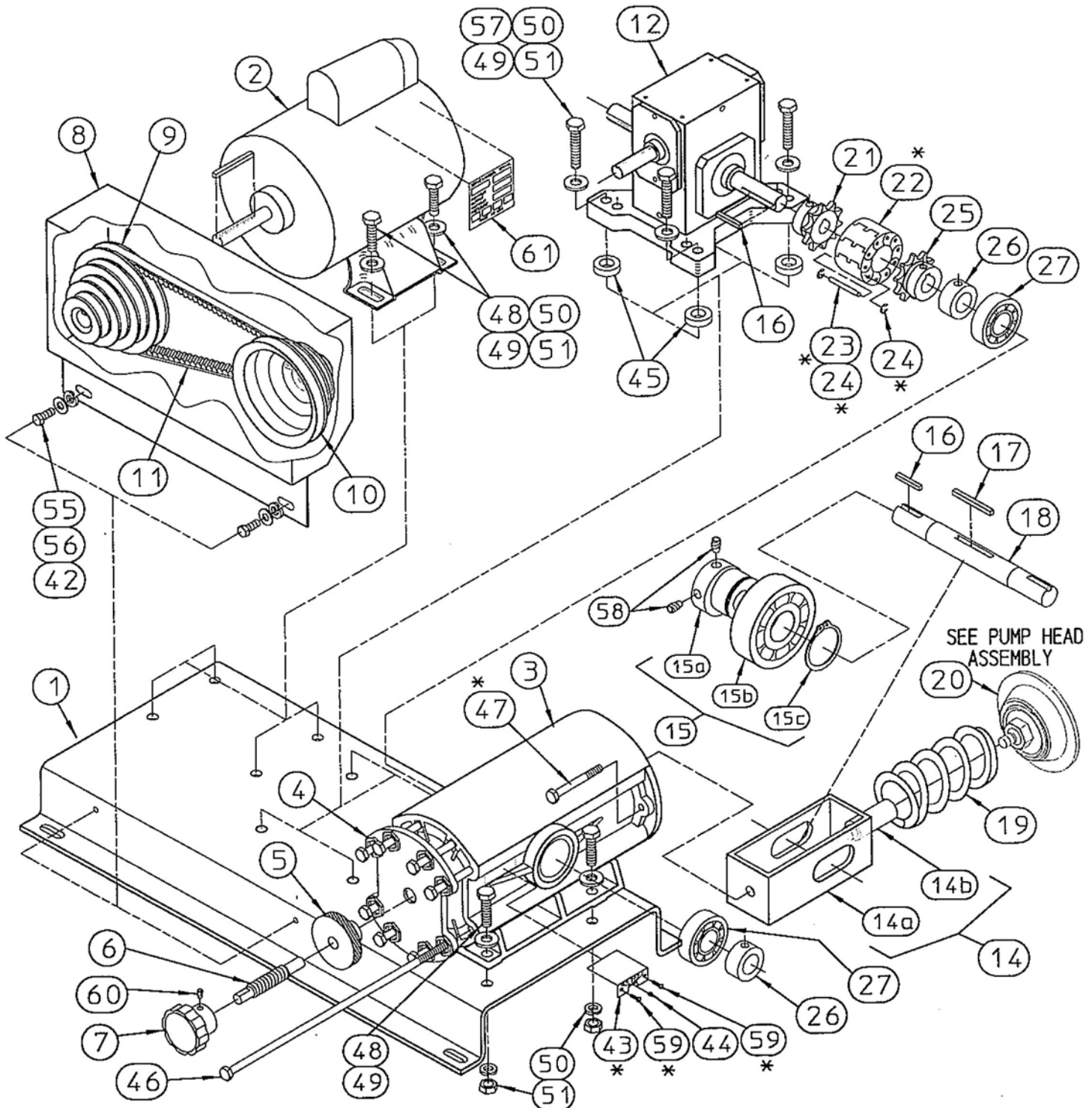


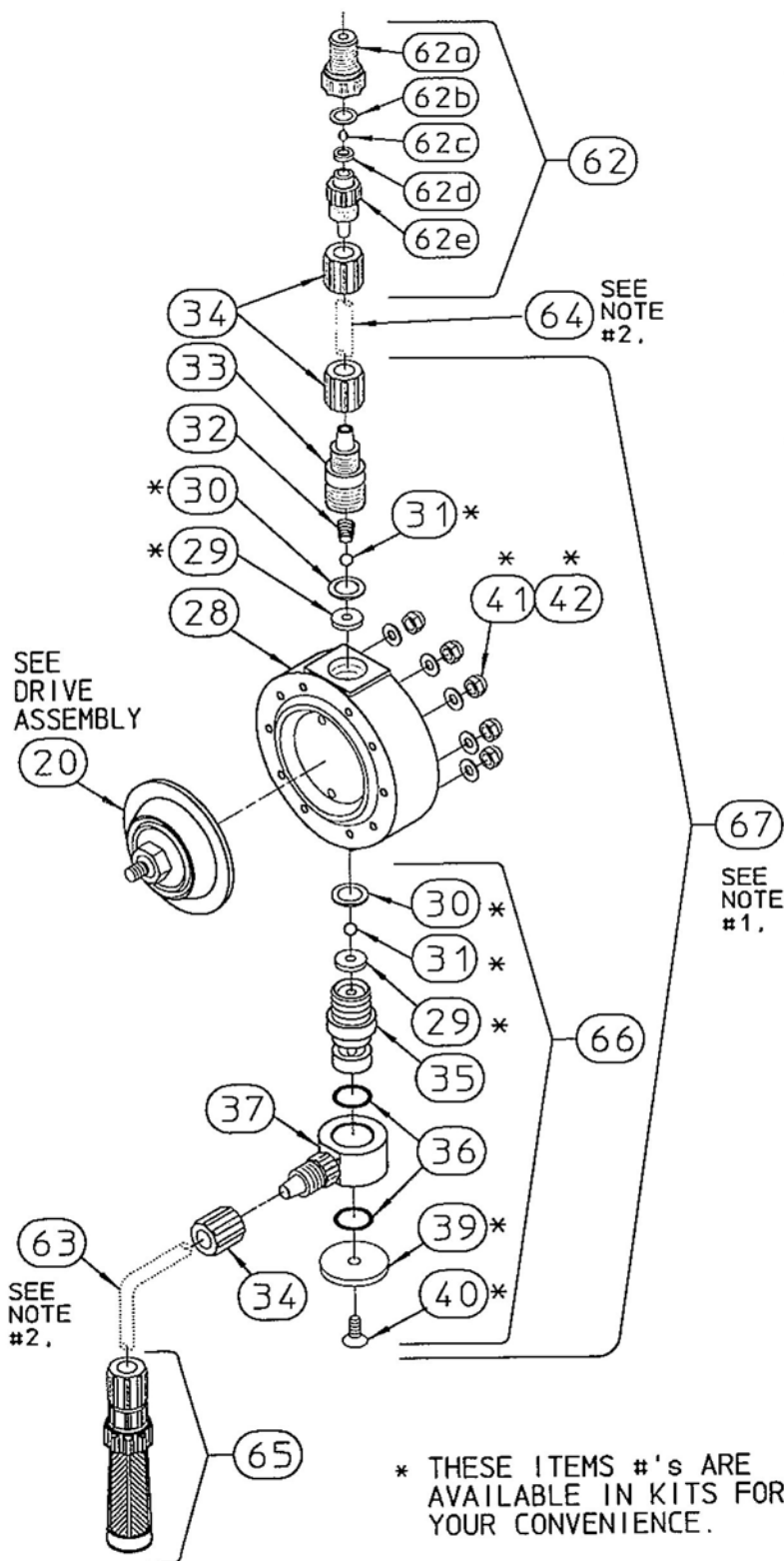
SERIES 300 DRIVE ASSEMBLY



* THESE ITEMS #'s ARE AVAILABLE IN KITS FOR YOUR CONVENIENCE.

KITS PARTS LIST			KITS PARTS LIST		
PART#	DESCRIPTION	QTY	PART#	DESCRIPTION	QTY
J61519	KIT, GASKET, HYPALON: ITEM # 30 - 27905	2	J61526	KIT, VALVE COMPONENTS: ITEM # 29 - 37446	2
J61520	KIT, VALVE SEAT, HYPALON: ITEM # 29 - 37446	2		" # 30 - 27905	2
J61521	KIT, ACORN NUT SET: ITEM # 41 - 32960	10		" # 31 - L1000500-ALA	2
	" # 42 - 42022	10	J61527	KIT, BASE, SUCTION SWIVEL: ITEM # 39 - 20705	1
J61522	KIT, OUTPUT INDICATOR: ITEM # 59 - 37030	2		" # 40 - 37040	1
	" # 43 - 34381	1	J61528	KIT, HEAD BOLT (.25"): ITEM # 47 - 21407	2
J61523	KIT, COUPLING CHAIN: ITEM # 22 - 24976	1		" # 41 - 32960	2
	" # 23 - 33765	1		" # 42 - 42022	2
	" # 24 - 36400	2			

SERIES 300 PUMP HEAD ASSEMBLY AND PARTS LIST



NOTES:
 1. HEAD ASSEMBLY; ITEM #67 (28939) DOES NOT INCLUDE DIAPHRAGM, ITEM #20 (25712).
 2. TUBING; ITEM #63 AND #64 NOT INCLUDED.

ITEM#	PART#	DESCRIPTION	QTY
1	20700	BASE, SIMPLEX	1
2	32590	MOTOR	1
3	29238	HOUSING	1
4	29237	HOUSING, BACKPLATE	1
5	32970	NUT, ADJ. SCREW LOCK	1
6	37888	SHAFT, OUTPUT	1
7	30461	KNOB, OUTPUT	1
8	28661	BELT GUARD	1
9	35220	PULLEY, 4-STEP, .63" MOTOR	1
10	35221	PULLEY, 4-STEP, .50" REDUCER	1
11	20980	BELT	1
12	J35918	REDUCER, (REDUCER 133)	1
14	J21834	BRACKET ASSEMBLY	REF
a	21821	BRACKET, DRIVE	1
b	37889	DIAPHRAGM SHAFT	1
15	22260	CAM/BEARING ASSEMBLY	REF
a	22253	CAM	1
b	20643	CAM DRIVE BEARING	1
c	J36395	CAM BEARING LOCKING RING	1
16	J30120	KEY, CAM SHAFT	2
17	30121	KEY, CAM BEARING	1
18	37887	MAIN SHAFT	1
19	38982	SPRING, DIAPHRAGM RETURN	1
20	25712	DIAPHRAGM ASSEMBLY	1
21	39180	SPROCKET, MOTOR .63"	1
22	24976	COUPLING CHAIN	1
23	33765	PIN, COUPLING CHAIN	1
24	36400	COUPLING CHAIN RETAINING RING	2
25	39182	SPROCKET, MOTOR .75"	1
26	23702	COLLAR, LOCKING	2
27	20844	BEARING, BALL	2
28	28805	HEAD, ACRYLIC (SAN.)	1
29	37446	VALVE SEAT, (HYPALON)	2
30	27905	GASKET (HYPALON)	2
31	L1000500-ALA	BALL, VALVE	2
32	38983	VALVE SPRING (OPTIONAL)	1
33	41565	VALVE HOUSING	1
34	J24960	COUPLING NUT	3
35	41568	VALVE, SEAT, PVC	1
36	33081	O-RING (HYPALON)	2
37	J23723	COLLAR SUCTION SWIVEL ASSEMBLY	1
39	20705	BASE, SUCTION SWIVEL VALVE	1
40	37040	SCREW, 5/16-18 x .5" FHS	1
41	32960	NUT, 1/4-20 ACN. SST	10
42	42022	WASHER, .28" x .62" SST	12
43	34381	PLATE, OPERATION INDICATOR	1
44	33761	PIN, STOP .63"	1
45	J39740	SPACER, (REDUCER 133)	4
46	21409	BOLT, .25"-20 x 10.5"	8
47	21407	BOLT, .25"-20 x 2.25"	2
48	21411	BOLT, .31"-18 x 1"	8
49	42053	WASHER, .31"	12
50	J42052	WASHER, LOCK .31"	12
51	J32944	NUT, .31"-18	12
55	21400	BOLT, .25"-20 x .5" SST	2
56	J42051	WASHER, .25" LOCK	2
57	21413	BOLT, .31"-18 x 1.5" SST	4
58	37056	SET SCREW, .38"-24 x .5"	2
59	37030	SCREW, 4-ABX x .38" PHS	2
60	37047	SET SCREW, #10-32 x .25"	1
61	30608	LABEL, DATA	1
62	41637	BACK CHECK VALVE ASSEMBLY	REF
a	J26780	INJECTION FITTING	1
b	J27903	GASKET, TFE	1
c	J20560	BALL, VALVE (CERAMIC)	1
d	J37440	VALVE SEAT, HYP	1
e	41569	VALVE HSE	1
63	00006	TUBING, SUCTION .44" PVC	1
64	00008	TUBING, DISCHARGE .5" POLYE.	1
65	40087	STRAINER ASSEMBLY PVC/HYP	1
66	41677	VALVE SEAT SUCTION ASSEMBLY	1
67	28939	HEAD ASSEMBLY ACRYLIC (SAN-HY-C)	1