



ANTI-VIBRATION TABLE

(P.N.8035, Rev. A4, June 2007)

1.0 INTRODUCTION

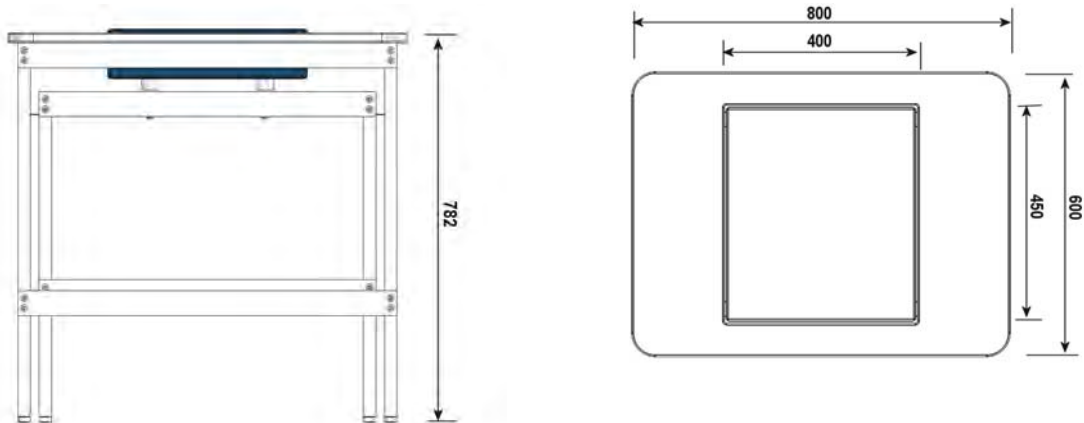
The Adam Anti-Vibration Table is designed for use in the laboratory or metrology room to provide suitable working conditions for devices that are sensitive to vibrations and shocks.

The table comprises two separate parts-

- An internal working surface consisting of a large marble slab mounted on rubber shock absorbing mounts
- An external service table with steel frame and adjustable levelling feet

2.0 TECHNICAL SPECIFICATIONS

Overall dimensions (w x d x h)	800 x 600 x 782 mm
Work Surface dimensions	400 x 450 mm
Weight of Work Surface	48 kg
Total weight	82 kg

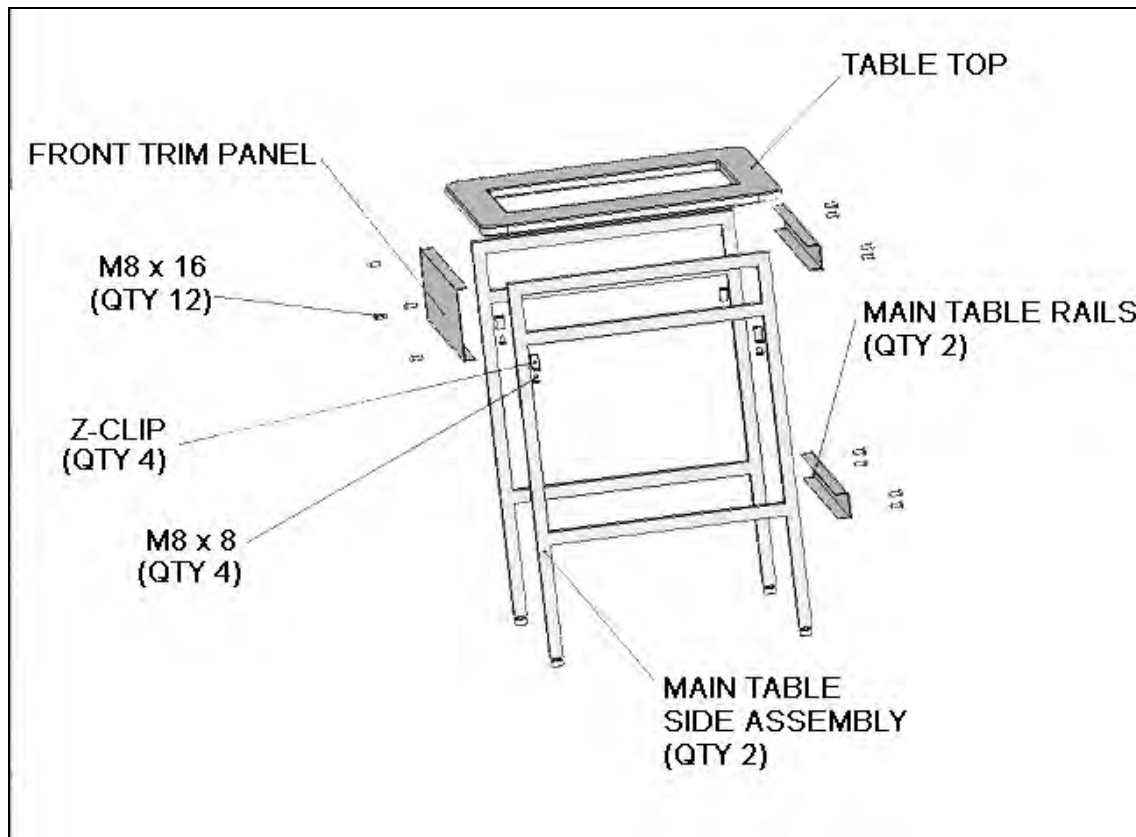


4.0 SETTING UP THE TABLE

4.1 PACKING LIST

No.	NAME	QTY
1	MARBLE	1
2	RUBBER	4
3	INNER TABLE RAIL(SMALL)	3
4	M8 × 16 SCREW	28
5	MARBLE SUPPORT RAIL	2
6	INNER TABLE SIDE ASSEMBLY(SMALL)	2
7	ADJUSTABLE FOOT	4
8	FRONT TRIM PANEL	1
9	Z-CLIP	4
10	M8 × 8 SCREW	4
11	TABLE TOP	1
12	MAIN TABLE RAIL (LARGE)	2
13	MAIN TABLE SIDE ASSEMBLY(LARGE)	2
14	HEXAGON SPANNER	1

4.3 MAIN TABLE ASSEMBLY DIAGRAM



Assembly instructions:

1. Assemble the FRONT TRIM PANEL using four M8 x 16 screws onto the 2 x MAIN TABLE SIDE ASSEMBLIES.
2. Fix the 2 x TABLE RAILS using eight M8 x 16 screws onto the MAIN TABLE SIDE ASSEMBLIES.
3. Put the TABLE TOP onto the main frame using the four Z-CLIPS and four M8 x 16 screws. Two Z-CLIPS should be fitted and secured first and then the other two can be fitted when the table top is in place from underneath. Make sure that the table top is fitted squarely.
4. Now place the MAIN TABLE over the top of the INNER TABLE making sure that the marble is not touching the table top.
5. The feet can now be adjusted to level the tables. **NOTE:** For weighing a larger unit that is larger than the marble slab area, we suggest you raise the marble slab a few millimetres higher than the table top so that the overhang portion of the unit does not touch the table top.

4.4 COMPLETED ANTI VIBRATION TABLE



5.0 MAINTENANCE

- Do not dismantle the Anti-Vibration table without following the assembly instructions.
- Do not move the Anti-Vibration Table violently and abruptly. It is recommended to move and put down the Table gently.
- It is suggested to wipe the stains with soft cloth soaked with detergent. Do not use organic solutions and boiled water to wipe the stains. Do not use water for cleaning.
- Keep the Anti-Vibration Table in a dry and clean environment. Do not expose it outdoor or use it in locations near fire, under direct sunshine or with high temperature.

WARRANTY INFORMATION

Adam Equipment offers Limited Warranty (Parts and Labour) for the components failed due to defects in materials or workmanship. Warranty starts from the date of delivery.

During the warranty period, should any repairs be necessary, the purchaser must inform its supplier or Adam Equipment Company. The company or its authorised Technician reserves the right to repair or replace the components at any of its workshops depending on the severity of the problems. However, any freight involved in sending the faulty units or parts to the service centre should be borne by the purchaser.

The warranty will cease to operate if the equipment is not returned in the original packaging and with correct documentation for a claim to be processed. All claims are at the sole discretion of Adam Equipment.

This warranty does not cover equipment where defects or poor performance is due to misuse, accidental damage, exposure to radioactive or corrosive materials, negligence, faulty installation, unauthorised modifications or attempted repair or failure to observe the requirements and recommendations as given in this User Manual.

Repairs carried out under the warranty does not extend the warranty period. Components removed during the warranty repairs become the company property.

The statutory right of the purchaser is not affected by this warranty. The terms of this warranty is governed by the UK law. For complete details on Warranty Information, see the terms and conditions of sale available on our web-site.

ADAM EQUIPMENT is an ISO 9001:2000 certified global organisation with more than 30 years experience in the production and sale of electronic weighing equipment. Products are sold through a world wide distributor network supported from our company locations in the UK, USA, SOUTH AFRICA and AUSTRALIA.

ADAM's products are predominantly designed for the Laboratory, Educational, Medical and Industrial Segments. The product range is as follows:

- Analytical and Precision Laboratory Balances
- Counting Scales for Industrial and Warehouse applications
- Digital Weighing/Check-weighing Scales
- High performance Platform Scales with extensive software features including parts counting, percent weighing etc.
- Crane scales for heavy-duty industrial weighing
- Digital Electronic Scales for Medical use
- Retail Scales for Price computing

<p>Adam Equipment Co. Ltd. Bond Avenue Milton Keynes MK1 1SW UK</p> <p>Tel: +44 (0)1908 274545 Fax: +44 (0)1908 641339</p> <p>E-mail: sales@adamequipment.co.uk</p>	<p>Adam Equipment Inc. 26, Commerce Drive Danbury, CT 06810 USA</p> <p>Tel: +1 203 790 4774 Fax: +1 203 792 3406</p> <p>E-mail: sales@adamequipment.com</p>	<p>Adam Equipment S.A. (Pty) Ltd. 7 Megawatt Road, Spartan EXT 22, Kempton Park, Johannesburg Republic of South Africa</p> <p>Tel: +27 (0)11 974 9745 Fax: +27 (0)11 392 2587</p> <p>E-mail: sales@adamequipment.co.za</p>	<p>Adam Equipment (S.E. ASIA) Pty Ltd. 2/71 Tacoma Circuit Canning Vale, Perth Western Australia</p> <p>Tel: +61 (0) 8 6461 6236 Fax: +61 (0) 8 9456 4462</p> <p>E-mail: sales@adamequipment.au.com</p>
---	---	--	--

© Copyright by Adam Equipment Co. Ltd. All rights reserved. No part of this publication may be reprinted or translated in any form or by any means without the prior permission of Adam Equipment.

Adam Equipment reserves the right to make changes to the technology, features, specifications and design of the equipment without notice.

All information contained within this publication is to the best of our knowledge timely, complete and accurate when issued. However, we are not responsible for misinterpretations which may result from the reading of this material.

The latest version of this publication can be found on our Website.

Visit us at www.adamequipment.com